

# Signalling Units

Harmony<sup>®</sup> tower lights,  
rotating beacons, sound units

Catalogue



**Selection guide** ..... page 4/2

## Monolithic tower lights

- Complete miniature beacons, Ø 45 mm, Harmony type XVD LS ..... page 4/5
- Pre-assembled and pre-cabled tower lights, Ø 40 to 100 mm, Harmony type XVC
  - Tower lights Ø 40 mm, type XVC 4 ..... page 4/11
  - Tower lights Ø 60 mm, type XVC 6 ..... page 4/12
  - Tower lights Ø 100 mm, type XVC 1 ..... page 4/13

## Modular tower lights

- Tower lights, Ø 45 mm, Harmony type XVM
  - Pre-assembled and pre-cabled tower lights ..... page 4/21
  - Customer assembled tower lights ..... page 4/26

- Tower lights, Ø 70 mm, Harmony type XVB
  - Illuminated beacons, type XVB L ..... page 4/50
  - Tower lights, type XVB C, for customer assembly, up to 5 units ..... page 4/53
  - Accessories for XVB L and XVB C ..... page 4/57

## Rotating beacons

- Pre-cabled rotating beacons, Harmony type XVR ..... page 4/71

## Sound solutions

- Sirens and electronic alarms, Harmony type XVS ..... page 4/73



Harmony type XV

Monolithic tower lights

4



<b>Type of products</b>	Complete pre-cabled pilot lights, height 55 mm	Complete miniature beacons
<b>Diameter (mm)</b>	Ø 25	Ø 45
<b>Degree of protection conforming to IEC 60529</b>	IP 40	IP 40
<b>Type of signalling</b>		
Steady	–	■
Flashing	–	–
“Flash”	–	■
Sound	–	–
<b>Light sources</b>		
Incandescent bulb	■	■
LED bulb	–	–
Integral LED	–	–
“Flash” discharge tube	–	■
Halogen bulb	–	–
<b>Colours of illuminated units</b>		
	<input type="checkbox"/> Green <input type="checkbox"/> Red <input type="checkbox"/> Clear <input type="checkbox"/> Yellow	<input type="checkbox"/> Green <input type="checkbox"/> Red <input type="checkbox"/> Orange <input type="checkbox"/> Blue <input type="checkbox"/> Clear <input type="checkbox"/> Yellow
<b>Connection</b>	Flying leads, length 360 mm	Screw clamp terminals
<b>Support panel drilling or cut-out</b>	Ø 22 or Ø 30	3 x Ø 3.3 or M3
<b>Type references</b>	<b>XV1 CA</b>	<b>XVD LS</b>
<b>Page(s)</b>	Please consult your customer care centre	4/6



Pre-assembled and pre-cabled tower lights		
Ø 40	Ø 60	Ø 100
IP 54 (flat surface installation) IP 23 (vertical surface installation)		IP 54 (flat surface installation)
■		
■		
-		
■		
-		
-		
■		
-		
-		
<input type="checkbox"/> Red <input type="checkbox"/> Orange <input type="checkbox"/> Green <input type="checkbox"/> Blue <input type="checkbox"/> Clear		
Flying leads, length 450 to 900 mm according to model (see page 35097-EN/3)	Flying leads, length 450 to 850 mm according to model (see page 35097-EN/3)	Flying leads, length 500 mm
Mounting on support tube with bracket: 2 x Ø 9 Direct mounting on horizontal support: 3 x Ø 5 Other mounting possibilities with accessories	Mounting on support tube with bracket: 2 x Ø 11 Direct mounting on horizontal support: 3 x Ø 5 Other mounting possibilities with accessories	Direct mounting on horizontal support: - 3 x Ø 6 (without siren) - 3 x Ø 7 (with siren) Other mounting possibilities with accessories
<b>XVC 4</b>	<b>XVC 6</b>	<b>XVC 1</b>
4/11	4/12	4/13

Harmony type XV

Modular tower lights



<b>Type of products</b>		Pre-assembled/pre-cabled tower lights Variable composition tower lights for customer assembly of up to 5 units	Variable composition tower lights for customer assembly of up to 5 units	Illuminated beacons Variable composition tower lights for customer assembly of up to 5 units
<b>Diameter (mm)</b>		Ø 45	Ø 50	Ø 70
<b>Degree of protection conforming to IEC 60529</b>		IP 54 in vertical position (XVM with plastic fixing plate) IP 42 in horizontal position (XVM with metal bracket) IP 40 in other positions (all types of XVM tower lights)	IP 65 for illuminated units IP 43 for audible units	IP 42 mounted vertically IP 40 for other positions IP 54 with reinforced protection (using sealing kit)
<b>Type of signalling</b>	Steady	■	■	■
	Flashing	■	■	■
	"Flash"	■	—	■
	Sound	—	—	■
<b>Light sources</b>	Incandescent bulb	■	■	■
	LED bulb	■	■ "PROTECTED LED"	—
	Integral LED	—	—	■
	"Flash" discharge tube	■	■	■
	Halogen bulb	—	—	—
<b>Colours of illuminated units</b>		<input type="checkbox"/> Red <input type="checkbox"/> Green <input type="checkbox"/> Orange <input type="checkbox"/> Blue <input type="checkbox"/> Clear	<input type="checkbox"/> Green <input type="checkbox"/> Red <input type="checkbox"/> Orange <input type="checkbox"/> Blue <input type="checkbox"/> Clear <input type="checkbox"/> Yellow	<input type="checkbox"/> Green <input type="checkbox"/> Red <input type="checkbox"/> Orange <input type="checkbox"/> Blue <input type="checkbox"/> Clear
<b>Connection</b>		Flying leads, length 300 mm or screw terminals	Screw clamp terminals	Screw clamp terminals
<b>Support panel drilling or cut-out</b>		Mounting on bracket: 2 x Ø 9 Mounting on support tube: 4 x Ø 5.5 or M5	Mounting on bracket: 2 x Ø 9 Mounting on fixing base: 4 x Ø 5 or M5 Vertical mounting: 2 x Ø 4,5 Direct mounting: 4 x Ø 5 or M5	Mounting on support tube: 4 x Ø 5.5 or M5 Vertical mounting: 3 x Ø 5 or M5
<b>Type references</b>		<b>XVM</b>	<b>XVP C</b>	<b>XVE L, XVE C</b>
<b>Page(s)</b>		4/21	4/33	4/41

Rotating beacons

Sound solutions



4

Illuminated beacons Variable composition tower lights for customer assembly of up to 5 units	Pre-cabled tower lights Tower lights for customer assembly of up to 5 units	Pre-cabled rotating beacons	Sirens and electronic alarms
Ø 70	Ø 70	Ø 84 to Ø 130	–
IP 65 (mounted on fixing base XVB Z0●) IP 66 (mounted on base unit)	IP 40	Ø 84 and 106: IP 23 (IP 65 with accessory) Ø 120: IP 23 Ø 130: IP 66 and IP 67 (depending on voltage)	IP 53 (sirens) IP 54 (electronic alarms)
■	■	■	–
■	■	–	–
■	■	–	–
■	■	■	■
■	■	–	–
■ "PROTECTED LED"	■ "PROTECTED LED"	■ "Super Bright"	–
■ "PROTECTED LED"	–	–	–
■	■	–	–
–	–	■	–
<input type="checkbox"/> Green <input type="checkbox"/> Red <input type="checkbox"/> Orange <input type="checkbox"/> Blue <input type="checkbox"/> Clear <input type="checkbox"/> Yellow	<input type="checkbox"/> Green <input type="checkbox"/> Red <input type="checkbox"/> Orange <input type="checkbox"/> Blue <input type="checkbox"/> Clear <input type="checkbox"/> Yellow	<input type="checkbox"/> Red <input type="checkbox"/> Orange <input type="checkbox"/> Green <input type="checkbox"/> Blue	–
Screw clamp terminals	Screw clamp terminals	Flying leads, length 400 mm (except XVR 08: 500 mm)	Screw clamp terminals (except XVS 14: flying leads, length 500 mm)
Mounting on support tube: 4 x Ø 5.5 or M5 Vertical mounting: 3 x Ø 5 or M5 Direct mounting: 2 x Ø 4.5 or M4		Depending on model: - XVR 08 (Ø 84 mm) : 3 x Ø 5 - XVR 10 (Ø 106 mm) : 3 x Ø 5 - XVR 12 (Ø 120 mm) : 3 x Ø 6 - XVR 13 (Ø 130 mm) : 3 x Ø 9 - XVR 13●●●L (Ø 130 mm) : 3 x Ø 7	3 x Ø 6.5
<b>XVB L, XVB C</b>	<b>XVD</b>	<b>XVR</b>	<b>XVS</b>
4/50	4/63	4/71	4/75

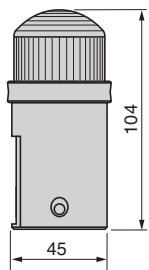
**Presentation**

Miniature illuminated beacons XVD LS are suitable for installation on small machines for short distance signalling of the process status.

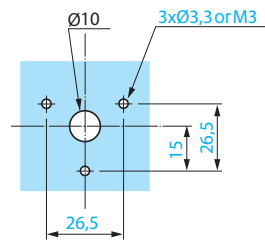
**Characteristics**

<b>Product certifications</b>	Standard version		CSA, UL
<b>Conformity to standards</b>			EN/IEC 60947-5-1
<b>Protective treatment</b>	Standard version		"TC"
<b>Ambient air temperature</b>	For storage	°C	- 40...+ 70
	For operation	°C	- 25...+ 70 with incandescent bulb - 10...+ 50 with "flash" discharge tube
<b>Electric shock protection</b>	Conforming to IEC 61140		Class II
<b>Degree of protection</b>	Conforming to IEC 60529		IP 40
<b>Material</b>	Illuminated units		Polycarbonate
	Base unit and cover		Glass-reinforced polyamide and polycarbonate
<b>Rated insulation voltage (Ui)</b>	Conforming to EN/IEC 60947-1	V	250
<b>Consumption</b>	With "flash" discharge tube circuit	<b>mA</b>	~ 24 V: < 90 --- 24 V: < 145
		<b>mA</b>	~ 120 V: < 35
		<b>mA</b>	~ 230 V: < 25
<b>Rated impulse withstand voltage</b>	Conforming to EN/IEC 60947-1	kV	U imp = 4
<b>Light source</b>	Illuminated units with steady light		Incandescent bulbs with BA 15d base fitting, maximum power 5 W
<b>Illuminating power</b>	Illuminated units with discharge circuit (flash lamp with integral tube)	cds	1.4 (integral high intensity tube) with clear lens unit
<b>Connection</b>	Maximum clamping capacity on protected, ready-to-tighten, screw and captive cable clamp terminals	mm <sup>2</sup>	1 x 1.5 with cable end
<b>Cable entry</b>			For n° 7 (DIN Pg 7) cable gland, not included

**Dimensions**



Panel cut-out for direct fixing



# Signalling solutions

Monolithic tower lights

Harmony type XVD LS Ø 45 mm

Complete miniature beacons



XVD LS●●

## Beacons with steady light signalling

Description	Light source, to be ordered separately	Colour	Reference	Weight kg
<b>Complete unit comprising:</b> - 1 illuminated unit - 1 base unit (direct fixing)	Incandescent bulb 5 W max. 230 V max.	Green	<b>XVD LS33</b>	0.080
		Red	<b>XVD LS34</b>	0.080
		Orange	<b>XVD LS35</b>	0.080
		Blue	<b>XVD LS36</b>	0.080
		Clear	<b>XVD LS37</b>	0.080
		Yellow	<b>XVD LS38</b>	0.080

## Bulbs for beacons with steady light signalling

Description	Characteristics		Sold in lots of	Unit reference	Weight kg
<b>Incandescent bulbs</b> BA 15d base fitting	24 V	4 W	10	<b>DL1 BEBS</b>	0.090
	120 V	5 W	10	<b>DL1 BEGS</b>	0.090
	230 V	5 W	10	<b>DL1 BEMS</b>	0.090

## Beacons with 1 Joule “flash” discharge tube

Description	Light source (included)	Colour	Reference	Weight kg		
<b>Complete unit comprising:</b> - 1 illuminated unit - 1 base unit (direct fixing)	“Flash” discharge tube ~ 24 V	Green	<b>XVD LS6B3</b>	0.085		
		Red	<b>XVD LS6B4</b>	0.085		
		Orange	<b>XVD LS6B5</b>	0.085		
		Blue	<b>XVD LS6B6</b>	0.085		
		Clear	<b>XVD LS6B7</b>	0.085		
		Yellow	<b>XVD LS6B8</b>	0.085		
		“Flash” discharge tube ~ 120 V	“Flash” discharge tube ~ 120 V	Green	<b>XVD LS6G3</b>	0.085
				Red	<b>XVD LS6G4</b>	0.085
Orange	<b>XVD LS6G5</b>			0.085		
Blue	<b>XVD LS6G6</b>			0.085		
Clear	<b>XVD LS6G7</b>			0.085		
Yellow	<b>XVD LS6G8</b>			0.085		
“Flash” discharge tube ~ 230 V	“Flash” discharge tube ~ 230 V			Green	<b>XVD LS6M3</b>	0.085
				Red	<b>XVD LS6M4</b>	0.085
		Orange	<b>XVD LS6M5</b>	0.085		
		Blue	<b>XVD LS6M6</b>	0.085		
		Clear	<b>XVD LS6M7</b>	0.085		
		Yellow	<b>XVD LS6M8</b>	0.085		

# Signalling solutions

## Monolithic tower lights

### Harmony type XVC Ø 40, Ø 60 and 100 mm

#### Pre-assembled and pre-cabled tower lights

4



#### Presentation

The monolithic tower lights in the Harmony XVC range are designed for long distance indication of the operating states or sequences of a machine or installation, either visually by means of illuminated signalling units visible through 360°, or audibly by means of an adjustable buzzer or siren.

- The range includes small diameter products (40 and 60 mm) and larger diameter products (100 mm). It is therefore suitable for use in virtually all activity sectors :
  - XVC 4 (40 mm) tower lights are used mainly in the food-processing and medical sectors,
  - XVC 6 (60 mm) tower lights are used in semi-conductor factories, on conveyor belts and on small food or drink dispensing machines in the commercial sector,
  - XVC 1 (100 mm) tower lights are more particularly designed for industrial applications and machine-tools.

- The entire range provides an IP 54 degree of protection to allow outdoor as well as indoor use.

- XVC tower lights are supplied:
  - with 1, 2, 3, 4, or 5 illuminated signalling units (up to 3 for XVC 1●●HK),
  - with or without a buzzer or siren,
  - pre-assembled and pre-cabled,
  - fitted with a support tube and bracket for mounting on a vertical support or 3 screws for direct mounting on a horizontal surface (depending on the model).

#### Illuminated signalling

Several lens unit colours are available from the catalogue:

- 5 colours for XVC 1●●K and XVC 1●●SK (red, orange, green, blue or clear),
- 3 colours for XVC 1●●HK (red, orange, green).

The colours are always placed in that order, from top to bottom.

The light source consists of Super Bright LEDs which provide optimum luminosity.

#### Audible signalling

The tower light is supplied with or without an audible signalling unit (buzzer or siren) depending on the required configuration. This audible unit is located in the base of the tower light.

For products equipped with a buzzer, the type of signal (continuous or intermittent) can be reversed by modifying the cable connections (only for 60 and 100 mm units). For products equipped with a siren, it is possible to choose between 16 melodies, either by a switch or by 4 external digital outputs.

A potentiometer is also present in the base for adjusting the audible signalling volume, up to a value of:

- 85 decibels for XVC 1●●K and XVC 1●●SK (equipped with a buzzer),
- 102 decibels for XVC 1●●HK (equipped with a siren).

#### Cabling

XVC tower lights supplied pre-assembled are equipped with wires marked with a label indicating the correct way to connect. Each level is marked by a different coloured wire.

XVC tower lights that have been pre-assembled and pre-cabled at the factory cannot be modified because the wires are permanently connected (soldered)

#### Description

XVC tower lights comprise an assembly of:

- 1 A cover.
- 2 One, two, three, four or five coloured illuminated signalling units (red, orange, green, blue or clear). Each illuminated unit is equipped with a LED (Super Bright LED).
- 3 A base mounted on the support tube 3A or a base fitted with 3 screws 3B for direct mounting on a horizontal surface.
- 4 A chromium plated-steel support tube mounted on a bracket, for mounting on a vertical support (depending on the model).
- 5 Marked wires, with projecting length of 500 to 900 mm (depending on the model).

Environment characteristics					
		XVC 4B● XVC 4B●5S XVC 4B●K	XVC 6B● XVC 6B●5S XVC 6B●K XVC 6B●5SK	XVC 4M● XVC 4M●5S	XVC 6M● XVC 6M●5S XVC 6M●K XVC 6M●5SK
<b>Product certifications</b>		CE (UL, CSA)		CE (UL, CSA and CCC)	
<b>Conformity to standards</b>		EN/IEC 61000-6-2, EN/IEC 61000-6-3	EN/IEC 61000-6-2, EN/IEC 61000-6-3, EN/IEC 61000-6-4	EN/IEC 60947-1, EN/IEC 60947-5-1	
<b>Protective treatment</b>		"TC"			
<b>Ambient air temperature</b>	Storage	°C	- 35...+ 70		
	Operation	°C	- 10...+ 50		
<b>Electric shock protection</b> conforming to IEC 61140	Mounted on support tube	Class I			
	Mounted on base	Class II		Class I	
<b>Degree of protection</b> conforming to IEC 60529	Mounted on support tube	IP 54 (Flat surface installation) IP 23 (Vertical surface installation)			
	Mounted on base	IP 54 (Flat surface installation)			
<b>Material</b>	Top cover	PBT + ABS (UL94HB)		PBT + ABS (UL94V-0)	
	Illuminated lens unit	PC (polycarbonate)			
	Base	ABS or PBT + ABS			
	Support tube	SGP (chromium-plated)	STK (chromium-plated)	SGP (chromium-plated)	STK (chromium-plated)
	L mounting bracket	SPCC (Cr3 + chromium-plated)			
<b>Light source</b>		LED			

Electrical characteristics						
<b>Rated voltage</b>		V	≈ 24	~ 100 - 240		
<b>Rated impulse withstand voltage</b>		kV	0.8	4		
<b>Consumption</b> - at rated voltage (for XVC 4B● / XVC 6B●) - at ~ 100 V (for XVC 4M● / XVC 6M●)	Steady light	1 unit	mA	25	30	35
		2 units	mA	50	45	50
		3 units	mA	75	60	
		4 units	mA	100	75	
		5 units	mA	125	90	
	Steady/flashing light with buzzer	1 unit	mA	65	50	60
		2 units	mA	90	65	75
		3 units	mA	115	80	85
		4 units	mA	140	95	100
		5 units	mA	165	110	115
<b>Audible units</b>	Sound level (continuous or intermittant tone) at 1 m	dB	70...85			
	Fundamental frequency	kHz	2.23			
<b>Flashing frequency of illuminated units</b>		Hz	1			
<b>Connection</b>	Cable diameter	mm <sup>2</sup>	Wire c.s.a. 0.33 mm <sup>2</sup> / AWG 22 (1)		Wire c.s.a. 0.33 mm <sup>2</sup> / AWG 22 (1) Wire c.s.a. 0.83 mm <sup>2</sup> / SPT-1 AWG 18 (1)	
	Cable length	mm	600 for XVC 4B● 900 for XVC 4B●5S 500 for XVC 4B●K	600 for XVC 6B● 550 for XVC 6B●5S 850 for XVC 6B●K and XVC 6B●5SK	450  <b>XVC 6M●</b> : - 450 for signal - 550 for power - 550 for earth <b>XVC 6M●5S</b> : - 450 for signal - 450 for power - 450 for earth <b>XVC 6M●K</b> and <b>XVC 6M●5SK</b> : - 750 for signal - 850 for power - 850 for earth	

(1) A.W.G. : American Wire Gauge.



4

Environment characteristics							
Type of tower light			XVC 1B●K XVC 1B●SK	XVC 1M●K XVC 1M●SK	XVC 1B●HK	XVC 1M●HK	
Product certifications			CE (UL, CSA)				
Conformity to standards			EN/IEC 61000-6-2, EN/IEC 61000-6-3, EN/IEC 61000-6-4	EN/IEC 60947-1, EN/IEC 60947-5-1	EN/IEC 61000-6-2, EN/IEC 61000-6-3, EN/IEC 61000-6-4	EN/IEC 60947-1, EN/IEC 60947-5-1	
Protective treatment			"TC"				
Ambient air temperature	Storage	°C	- 35...+ 70		- 35...+ 70		
	Operation	°C	- 30...+ 50		- 20...+ 50		
Electric shock protection conforming to IEC 61140	Mounted on support tube		-				
	Mounted on base		Class II	Class I	Class II	Class I	
Degree of protection conforming to IEC 60529	Mounted on support tube		-				
	Mounted on base		IP 54 (Flat surface installation)				
Material	Top cover		PBT + ABS (UL94-V0)				
	Illuminated lens unit		PC (polycarbonate)				
	Base		PBT + ABS (UL94-V0)				
	Support tube		-				
	L mounting bracket		-				
Light source			LED				
Electrical characteristics							
Rated voltage			V	~ 24	~ 100 - 240	~ 24	~ 100 - 240
Rated impulse withstand voltage			kV	0.8	4	0.8	4
Consumption - at rated voltage (for XVC 1B●) - at ~ 100 V (for XVC 1M●)	Steady/flashing light	1 unit	mA	100	75	-	-
		2 units	mA	200	120	-	-
		3 units	mA	300	160	-	-
		4 units	mA	400	215	-	-
		5 units	mA	500	270	-	-
	Steady/flashing light with buzzer	1 unit	mA	150	85	460	235
		2 units	mA	250	130	550	280
		3 units	mA	350	170	660	320
		4 units	mA	450	230	-	-
		5 units	mA	550	280	-	-
Audible units			Sound level at 1 m	dB	60...85 (continuous or intermittent tone)	0...102	
Flashing frequency of illuminated units			Hz	0.7...3			
Connection	Cable diameter			Wire c.s.a.: 0.33 mm <sup>2</sup> / AWG 22 (1) Wire c.s.a.: 0.83 mm <sup>2</sup> / AWG 18 (1)			
	Cable length		mm	500			

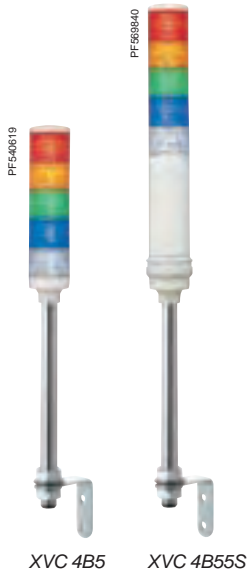
(1) AWG: American Wire Gauge.

# Signalling solutions

## Monolithic tower lights

### Harmony type XVC Ø 40 mm

#### Pre-assembled and pre-cabled tower lights



XVC 4B5

XVC 4B55S

#### Pre-assembled and pre-cabled tower lights Ø 40 mm

Description	Light source (included)	Voltage V	Signalling colours (1)		Reference	Weight kg
			Steady	Flashing (2)		
<b>For support tube mounting, 17 mm</b>						
<b>Without buzzer</b>	LED for steady light only	≈ 24	R	–	<b>XVC 4B1</b>	0.500
			R, O	–	<b>XVC 4B2</b>	0.520
			R, O, G	–	<b>XVC 4B3</b>	0.540
			R, O, G, B	–	<b>XVC 4B4</b>	0.560
			R, O, G, B, C	–	<b>XVC 4B5</b>	0.580
		~ 100-240	R	–	<b>XVC 4M1</b>	0.720
			R, O	–	<b>XVC 4M2</b>	0.750
			R, O, G	–	<b>XVC 4M3</b>	0.780
			R, O, G, B	–	<b>XVC 4M4</b>	0.810
			R, O, G, B, C	–	<b>XVC 4M5</b>	0.840
<b>With buzzer + flashing light</b>	LED for steady or flashing light	≈ 24	R	R	<b>XVC 4B15S</b>	0.600
			R, O	R, O	<b>XVC 4B25S</b>	0.620
			R, O, G	R, O, G	<b>XVC 4B35S</b>	0.640
			R, O, G, B	R, O, G, B	<b>XVC 4B45S</b>	0.660
			R, O, G, B, C	R, O, G, B, C	<b>XVC 4B55S</b>	0.680
		~ 100-240	R	R	<b>XVC 4M15S</b>	0.740
			R, O	R, O	<b>XVC 4M25S</b>	0.770
			R, O, G	R, O, G	<b>XVC 4M35S</b>	0.800
			R, O, G, B	R, O, G, B	<b>XVC 4M45S</b>	0.830
			R, O, G, B, C	R, O, G, B, C	<b>XVC 4M55S</b>	0.860

#### For base mounting

<b>Without buzzer</b>	LED for steady light only	≈ 24	R	–	<b>XVC 4B1K</b>	0.100
			R, O	–	<b>XVC 4B2K</b>	0.120
			R, O, G	–	<b>XVC 4B3K</b>	0.140
			R, O, G, B	–	<b>XVC 4B4K</b>	0.160
			R, O, G, B, C	–	<b>XVC 4B5K</b>	0.180

#### Accessories for support tube mounting

Description	Diameter mm	Minimum height to be added mm	Reference	Weight kg
<b>Metal fixing plate</b>	90	32	<b>XVC Z11</b>	0.100
<b>Plastic fixing plate</b>	84	24.5	<b>XVC Z01</b>	0.060
<b>Wall mounting bracket</b>	–	82	<b>XVC Z31</b>	0.130

(1) Signalling colours: R: Red, O: Orange, G: Green, B: Blue, C: Clear. The colours are listed in the same order as the mounting order of the illuminated units (from top to bottom).

(2) Flashing function can be simply selected/programmed by wiring.



XVC Z11



XVC Z31

# Signalling solutions

## Monolithic tower lights

### Harmony type XVC Ø 60 mm

#### Pre-assembled and pre-cabled tower lights



XVC 6B5

XVC 6M5



XVC 6B5K

XVC 6M5K



XVC Z32

#### Pre-assembled and pre-cabled tower lights Ø 60 mm

Description	Light source (included)	Voltage V	Signalling colours (1)		Reference	Weight kg
			Steady	Flashing (2)		
<b>For support tube mounting, 22 mm</b>						
<b>Without buzzer</b>	LED for steady light only	~ 24	R	-	XVC 6B1	0.700
			R, O	-	XVC 6B2	0.740
			R, O, G	-	XVC 6B3	0.780
			R, O, G, B	-	XVC 6B4	0.820
			R, O, G, B, C	-	XVC 6B5	0.860
		~ 100-240	R	-	XVC 6M1	0.960
			R, O	-	XVC 6M2	1.020
			R, O, G	-	XVC 6M3	1.070
			R, O, G, B	-	XVC 6M4	1.120
			R, O, G, B, C	-	XVC 6M5	1.180
<b>With buzzer + flashing light</b>	LED for steady or flashing light	~ 24	R	R	XVC 6B15S	0.900
			R, O	R, O	XVC 6B25S	0.940
			R, O, G	R, O, G	XVC 6B35S	0.980
			R, O, G, B	R, O, G, B	XVC 6B45S	1.020
			R, O, G, B, C	R, O, G, B, C	XVC 6B55S	1.060
		~ 100-240	R	R	XVC 6M15S	1.010
			R, O	R, O	XVC 6M25S	1.070
			R, O, G	R, O, G	XVC 6M35S	1.120
			R, O, G, B	R, O, G, B	XVC 6M45S	1.170
			R, O, G, B, C	R, O, G, B, C	XVC 6M55S	1.230

#### For base mounting

<b>Without buzzer</b>	LED for steady light only	~ 24	R	-	XVC 6B1K	0.200
			R, O	-	XVC 6B2K	0.250
			R, O, G	-	XVC 6B3K	0.300
			R, O, G, B	-	XVC 6B4K	0.350
			R, O, G, B, C	-	XVC 6B5K	0.400
		~ 100-240	R	-	XVC 6M1K	0.440
			R, O	-	XVC 6M2K	0.500
			R, O, G	-	XVC 6M3K	0.550
			R, O, G, B	-	XVC 6M4K	0.600
			R, O, G, B, C	-	XVC 6M5K	0.660
<b>With buzzer + flashing light</b>	LED for steady or flashing light	~ 24	R	R	XVC 6B15SK	0.200
			R, O	R, O	XVC 6B25SK	0.250
			R, O, G	R, O, G	XVC 6B35SK	0.300
			R, O, G, B	R, O, G, B	XVC 6B45SK	0.350
			R, O, G, B, C	R, O, G, B, C	XVC 6B55SK	0.400
		~ 100-240	R	R	XVC 6M15SK	0.490
			R, O	R, O	XVC 6M25SK	0.550
			R, O, G	R, O, G	XVC 6M35SK	0.600
			R, O, G, B	R, O, G, B	XVC 6M45SK	0.650
			R, O, G, B, C	R, O, G, B, C	XVC 6M55SK	0.710

#### Accessories for support tube mounting and base mounting

Description	For use with	Diameter mm	Minimum height to be added (mm)	Reference	Weight kg
<b>Metal fixing plate for support-tube mounting</b>	XVC 6●● and XVC 6●●5S	100	30	XVC Z02	0.080
<b>Metal fixing plate for base mounting</b>	XVC 6●● K and XVC 6●●5SK	84	21.6	XVC Z12	0.100
<b>Wall mounting bracket for support-tube mounting</b>	XVC 6●● and XVC 6●●5S	-	82	XVC Z32	0.130

(1) Signalling colours: R: Red, O: Orange, G: Green, B: Blue, C: Clear. The colours are listed in the same order as the mounting order of the illuminated units (from top to bottom).

(2) Flashing function can be simply selected/programmed by wiring.

# Signalling solutions

## Monolithic tower lights

### Harmony type XVC Ø 100 mm

#### Pre-assembled and pre-cabled tower lights



#### Pre-assembled and pre-cabled tower lights Ø 100 mm

Description	Light source (included)	Voltage V	Signalling colours (1)		Reference	Weight kg	
			Steady	Flashing (2)			
<b>For base mounting</b>							
<b>Without buzzer With flashing light</b>	LED for steady or flashing light	~ 24	R	R	<b>XVC 1B1K</b>	0.700	
			R, O	R, O	<b>XVC 1B2K</b>	0.900	
			R, O, G	R, O, G	<b>XVC 1B3K</b>	1.100	
			R, O, G, B	R, O, G, B	<b>XVC 1B4K</b>	1.300	
			R, O, G, B, C	R, O, G, B, C	<b>XVC 1B5K</b>	1.500	
			~ 100-240	R	R	<b>XVC 1M1K</b>	1.000
			R, O	R, O	<b>XVC 1M2K</b>	1.200	
			R, O, G	R, O, G	<b>XVC 1M3K</b>	1.400	
			R, O, G, B	R, O, G, B	<b>XVC 1M4K</b>	1.600	
			R, O, G, B, C	R, O, G, B, C	<b>XVC 1M5K</b>	1.800	
<b>With buzzer + flashing light</b>	LED for steady or flashing light	~ 24	R	R	<b>XVC 1B1SK</b>	0.700	
			R, O	R, O	<b>XVC 1B2SK</b>	0.900	
			R, O, G	R, O, G	<b>XVC 1B3SK</b>	1.100	
			R, O, G, B	R, O, G, B	<b>XVC 1B4SK</b>	1.300	
			R, O, G, B, C	R, O, G, B, C	<b>XVC 1B5SK</b>	1.500	
			~ 100-240	R	R	<b>XVC 1M1SK</b>	1.050
			R, O	R, O	<b>XVC 1M2SK</b>	1.250	
			R, O, G	R, O, G	<b>XVC 1M3SK</b>	1.450	
			R, O, G, B	R, O, G, B	<b>XVC 1M4SK</b>	1.650	
			R, O, G, B, C	R, O, G, B, C	<b>XVC 1M5SK</b>	1.850	
<b>With siren + flashing light</b>	LED for steady or flashing light	~ 24	R	R	<b>XVC 1B1HK</b>	1.580	
			R, O	R, O	<b>XVC 1B2HK</b>	1.780	
			R, O, G	R, O, G	<b>XVC 1B3HK</b>	1.980	
			~ 100-240	R	R	<b>XVC 1M1HK</b>	1.680
			R, O	R, O	<b>XVC 1M2HK</b>	1.880	
			R, O, G	R, O, G	<b>XVC 1M3HK</b>	2.080	

#### Accessories for mounting on vertical support

Description	For use with	Diameter mm	Height mm	Reference	Weight kg
<b>Chromium plated-steel extension tube with metal fixing plate</b>	XVC 1●●K and XVC 1●●SK	140	300	<b>XVC Z13</b>	0.700
	XVC 1●●HK (with siren)	140	306	<b>XVC Z14</b>	0.700
<b>Metal fixing bracket</b>	XVC 1●●K and XVC 1●●SK	–	–	<b>XVC Z23</b>	0.380
	XVC 1●●HK (with siren)	–	–	<b>XVC Z24</b>	0.380

(1) Signalling colours: R: Red, O: Orange, G: Green, B: Blue, C: Clear. The colours are listed in the same order as the mounting order of the illuminated units (from top to bottom).

(2) Flashing function can be simply selected/programmed by wiring.



# Signalling solutions

## Monolithic tower lights

### Harmony type XVC Ø 40 mm

Pre-assembled and pre-cabled tower lights

#### Pre-assembled and pre-cabled tower lights Ø 40 mm

With support tube mounting

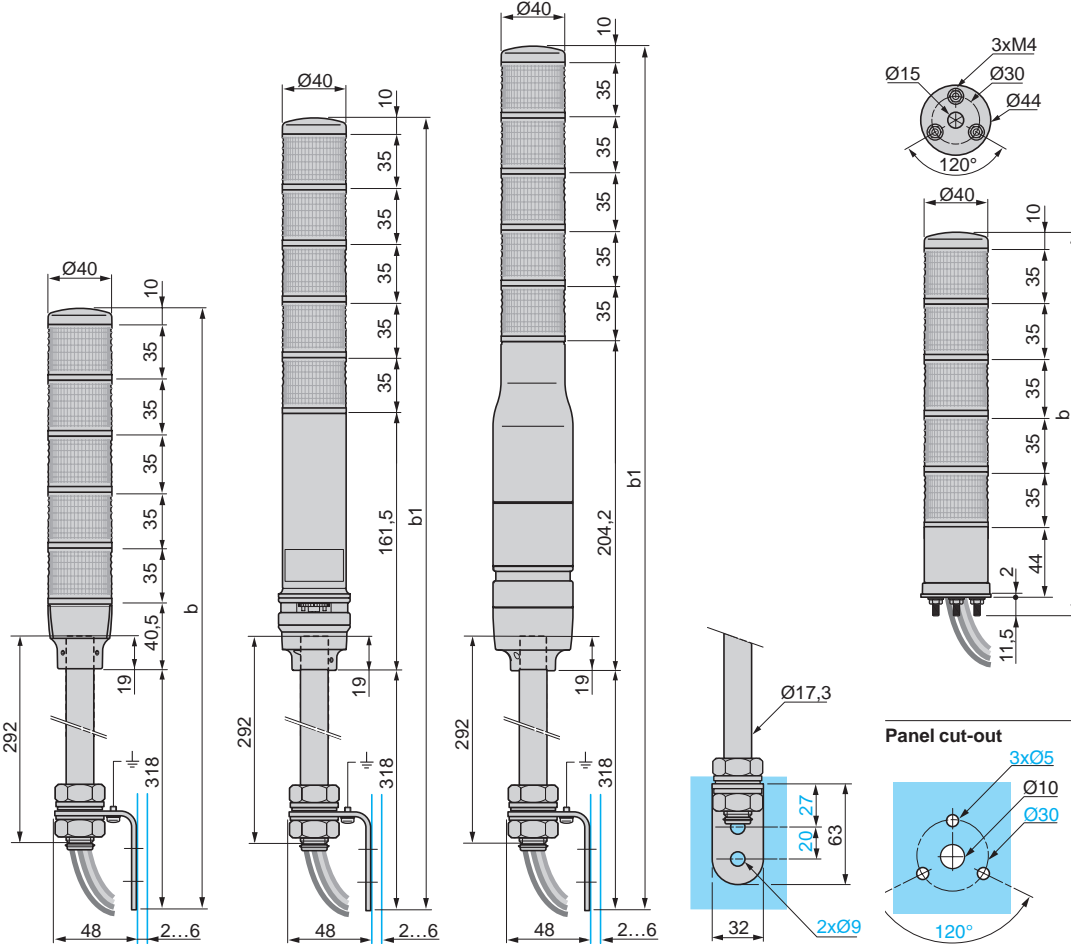
XVC 4B●

XVC 4B●5S

XVC 4M●, XVC 4M●5S

For direct mounting on horizontal support

XVC 4B●K



#### Height of pre-assembled and pre-cabled tower lights

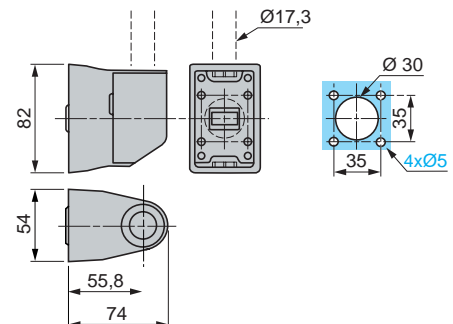
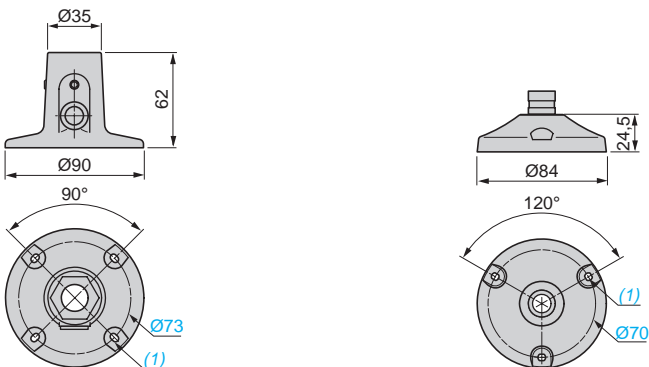
No. of illuminated units	b Without buzzer (mm)	b1 With buzzer (mm)		No. of illuminated units	b Without buzzer (mm)
		XVC 4B●5S	XVC 4M●, XVC 4M●5S		
1 stage	403.5	524.5	567.2	1 stage	100.5
2 stages	438.5	559.5	602.2	2 stages	135.5
3 stages	473.5	594.5	637.2	3 stages	170.5
4 stages	508.5	629.5	672.2	4 stages	205.5
5 stages	543.5	664.5	707.2	5 stages	240.5

#### Accessories for tower lights type XVC 4●● and XVC 4●●5S

Metal fixing plate, XVC Z11

Plastic fixing plate, XVC Z01

Wall mounting bracket, XVC Z31



(1) 4 elongated holes Ø 4.2 x 5.

(1) 3 elongated holes Ø 4.2 x 5

Presentation, description: page 4/8

Characteristics: page 4/9

References: page 4/11

# Signalling solutions

Monolithic tower lights

Harmony type XVC Ø 60 mm

Pre-assembled and pre-cabled tower lights

## Pre-assembled and pre-cabled tower lights Ø 60 mm

With support tube mounting

XVC 6B●

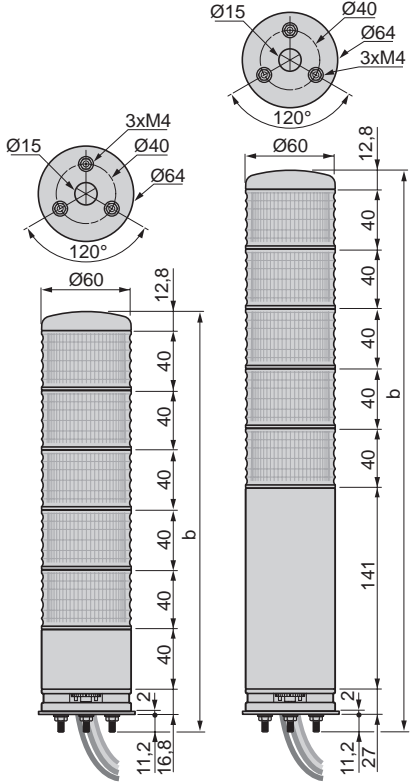
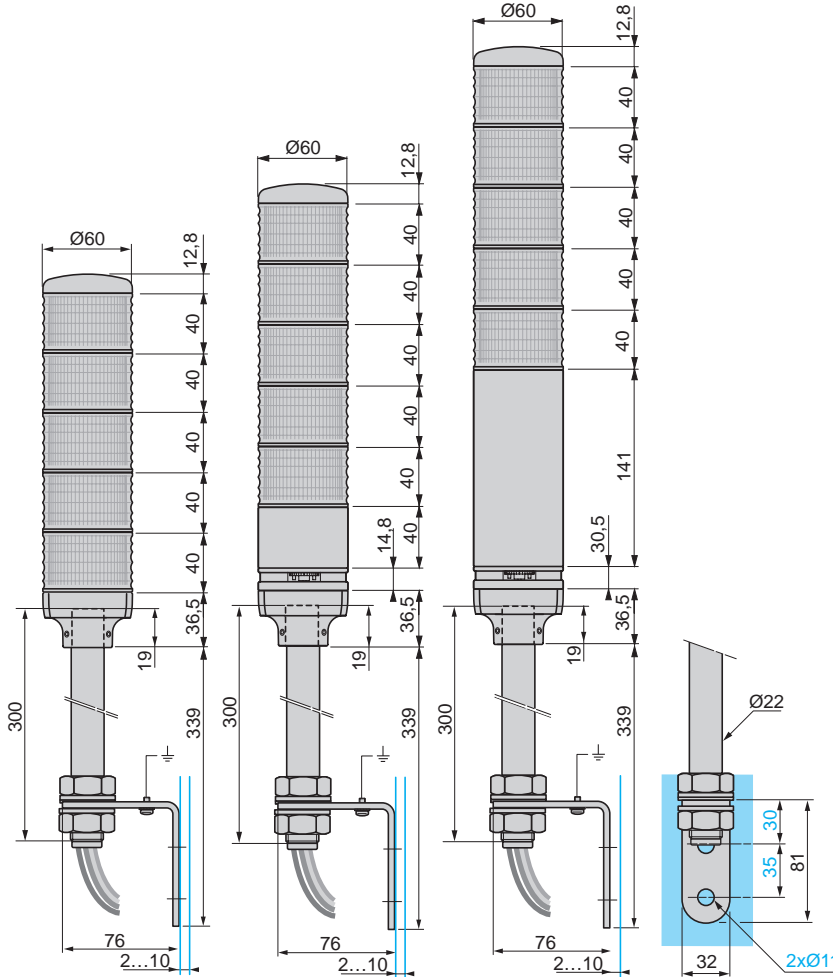
XVC 6B●5S

XVC 6M●, XVC 6M●5S

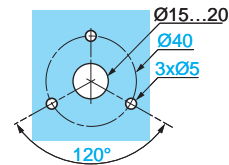
For mounting on horizontal support (direct or with fixing plate)

XVC 6B●K, 6B●5SK

XVC 6M●K, XVC 6M●5SK



Panel cut-out



### Height of pre-assembled and pre-cabled tower lights

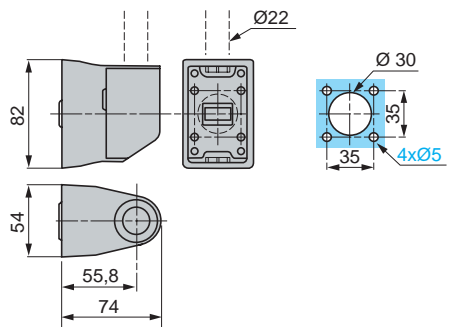
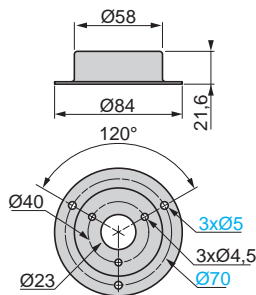
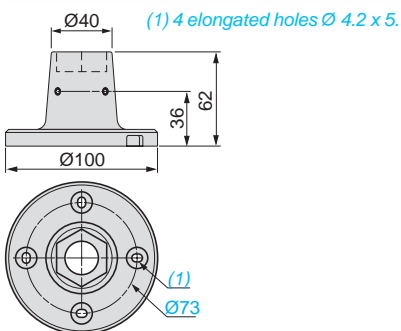
No. of illuminated units	b Without buzzer (mm)		b1 With buzzer (mm)		No. of illuminated units	b With or without buzzer (mm)	
	XVC 6B●5S	XVC 6M●, XVC 6M●5S	XVC 6B●K, XVC 6B●5SK	XVC 6M●K, XVC 6M●5SK			
1 stage	428.3	483.1	599.8		1 stage	120.8	232
2 stages	468.3	523.1	639.8		2 stages	160.8	272
3 stages	508.3	563.1	679.8		3 stages	200.8	312
4 stages	548.3	603.1	719.8		4 stages	240.8	352
5 stages	588.3	643.1	759.8		5 stages	280.8	392

### Accessories for mounting on horizontal support

Fixing plate XVC Z02 for XVC 6●● / 6●●5S

Fixing plate XVC Z12 for XVC 6●●K / 6●●5SK

Wall mounting bracket XVC Z32 for XVC 6●● / 6●●5S



# Signalling solutions

## Monolithic tower lights

### Harmony type XVC Ø 100 mm

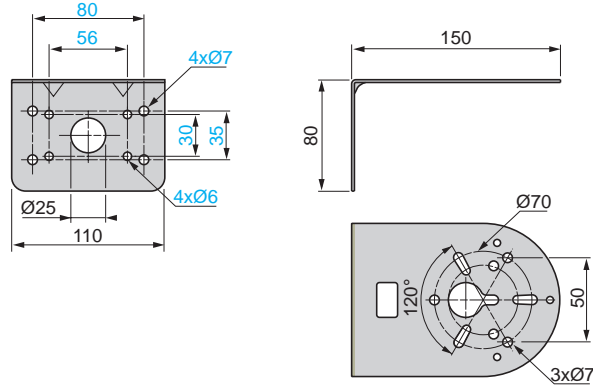
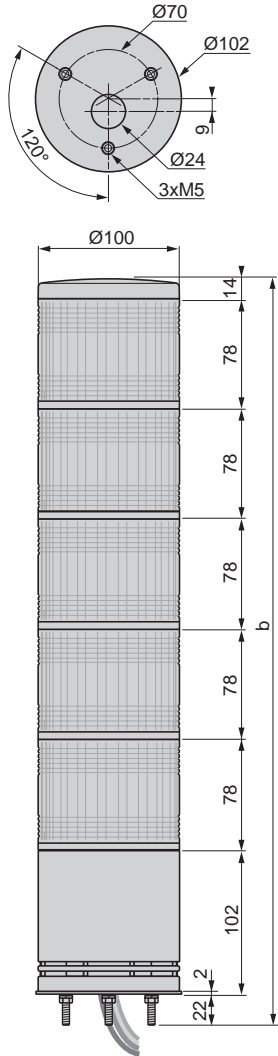
Pre-assembled and pre-cabled tower lights

#### Pre-assembled and pre-cabled tower lights Ø 100 mm

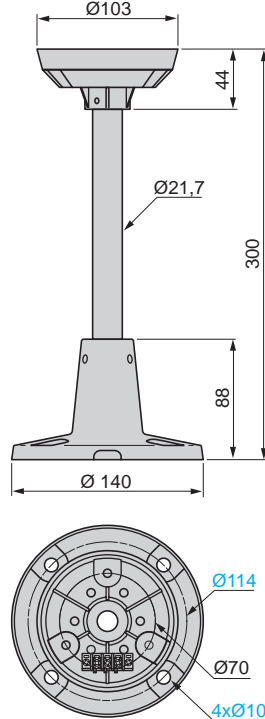
For mounting on horizontal support (direct or with fixing plate)

XVC 1●●K, XVC 1●●SK tower lights

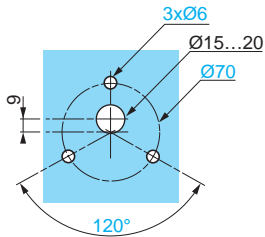
XVC Z23 fixing plate



XVC Z13 fixing plate



Panel cut-out



#### Height of pre-assembled and pre-cabled tower lights

No. of illuminated units	b (mm)
1	216
2	294
3	372
4	450
5	528

# Signalling solutions

Monolithic tower lights

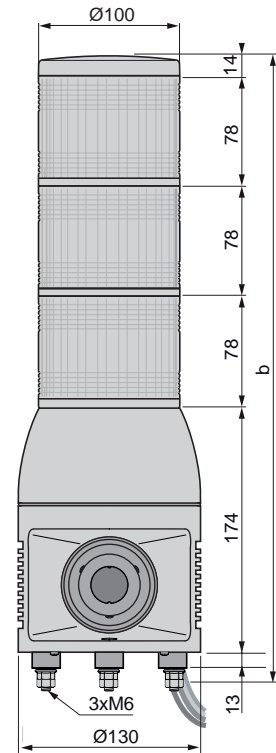
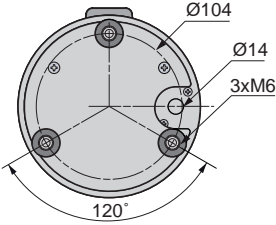
Harmony type XVC Ø 100 mm

Pre-assembled and pre-cabled tower lights

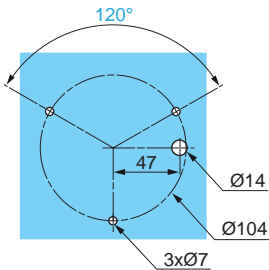
## Pre-assembled and pre-cabled tower lights Ø 100 mm with siren

For mounting on horizontal support (direct or with fixing plate)

### XVC 1●HK tower lights



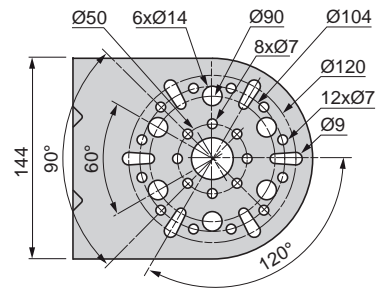
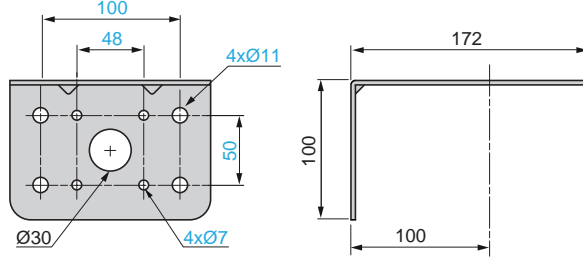
### Panel cut-out



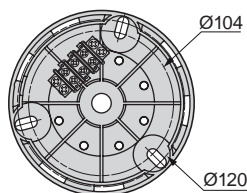
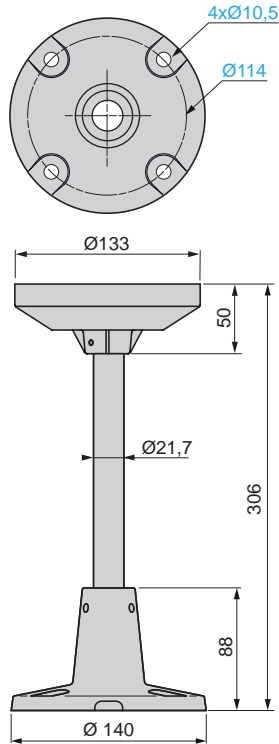
### Height of pre-assembled and pre-cabled tower lights

No. of illuminated units	b (mm)
1	293
2	371
3	449

### XVC Z24 fixing plate



### XVC Z14 fixing plate



4

# Signalling solutions

## Modular tower lights

### Harmony type XVM Ø 45 mm

Pre-assembled/pre-cabled tower lights and tower lights for customer assembly



Tower lights XVM supplied pre-assembled and pre-cabled, with 1, 2, 3 or 4 illuminated units, each one fitted with a buzzer and with a fixing base

#### Presentation

Ø 45 mm tower lights XVM are available in 2 forms:

■ **Pre-assembled and pre-cabled** by Schneider Electric.

The tower lights are supplied:

- with 1, 2, 3 or 4 illuminated signalling units,
- with or without buzzer,
- fitted with a fixing base for mounting on a vertical support (only one support possible) or an horizontal support (2 types of support available).

Pre-assembled and pre-cabled Ø 45 mm tower lights XVM cannot be modified due to the wiring.

■ And as separate components (all catalogued) **for customer assembly** of variable composition units to meet particular requirements.

#### Light signalling

5 catalogued lens unit colours available: red, orange, green, clear and blue.

These illuminated units incorporate a BA 15d base that can be fitted (by simple 15° rotation) with the choice of light source:

- 1 incandescent bulb,
- 1 "Super Bright" LED, or
- 1 "flash" discharge tube.

These 3 types of light source enable:

- steady light signalling using an incandescent bulb or an LED (1),
- flashing light signalling using an LED,
- "flash" light signalling using a "flash" discharge tube.

(1) A flashing function can also be obtained from a steady light LED by using a PLC output signal.

#### Audible signalling

The tower light is supplied with or without an audible (buzzer) unit depending on the configuration required. The buzzer is housed in the base unit of the tower light.

- There is also a potentiometer in the base unit for adjusting the volume of the audible signal, up to a value of 85 decibels.
- A selector enables the choice of signalling: continuous or intermittent tone.

#### Modularity

■ Tower lights XVM can also be assembled by the customer using separate components, all of which are catalogue listed:

- either 5 illuminated units maximum, or
- a base unit with buzzer and 4 illuminated units.

■ The light sources (incandescent bulb, Super Bright LED or "flash" discharge tube) are interchangeable. This enables, for example, the replacement of incandescent bulbs initially fitted in a tower light by LEDs (longer service life) in order to reduce maintenance operations. The current consumption of LEDs is very low and consequently, their usage has a definite effect on the reduction of power consumption.

■ The illuminated units easily fit together and electrical connections are made automatically.

■ Connections in the base unit for customer assembled indicator banks are made to a screw terminal block.

#### Cabling

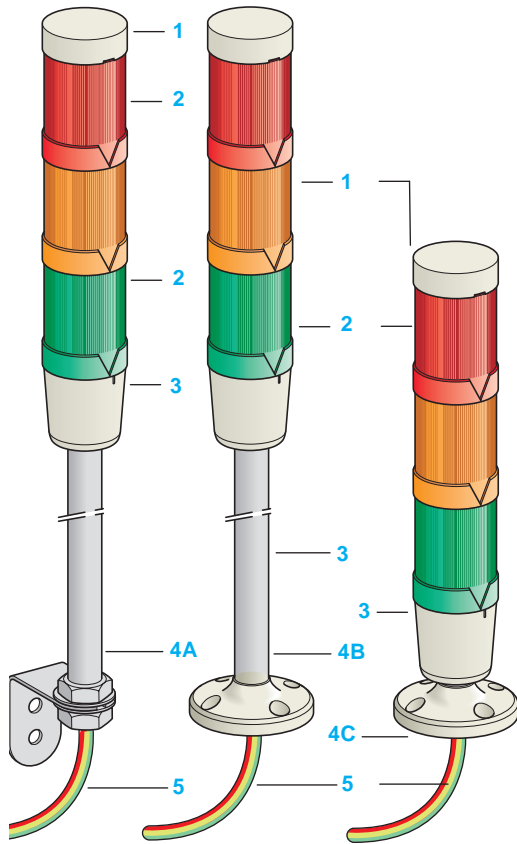
Tower lights XVM supplied pre-assembled feature referenced wires with a wiring instructions label. Each signalling unit of the tower light is identified by a different wire colour.

# Signalling solutions

## Modular tower lights

### Harmony type XVM Ø 45 mm

Pre-assembled/pre-cabled tower lights and tower lights for customer assembly



#### Description

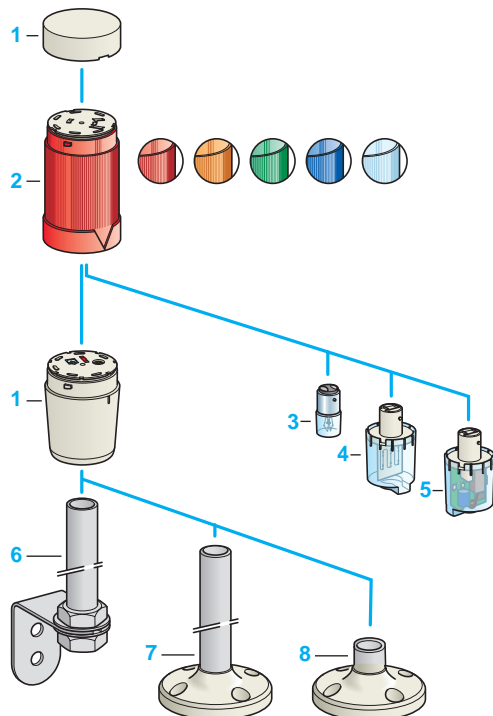
##### Pre-assembled and pre-cabled tower lights

The pre-assembled XVM indicator banks comprise:

- 1 A cover.
- 2 One, two, three or four coloured illuminated units (red, orange, green or blue). Each illuminated unit is fitted with an incandescent bulb, a base mounted Super Bright LED with integrated light diffuser or a "flash" discharge tube, depending on the catalogued model selected.
- 3 A base unit integrating the buzzer (depending on model).
- 4 A fixing base for mounting on a vertical or horizontal support (depending on model).
- 5 300 mm flying lead connections, each wire identified.

3 types of fixations are proposed:

- 4A A fixing base, comprising a 250 mm aluminium tube mounted on a bracket, for mounting on a vertical support.
- 4B A fixing base, comprising a 250 mm aluminium tube mounted on a plastic bracket, for mounting on an horizontal support.
- 4C A plastic fixing plate for direct mounting on the base unit.



##### Customer assembled tower lights

The customised composition of XVM tower lights is obtained by assembling:

- 1 A cover and a base unit, with or without integral buzzer.
- 2 5 illuminated units maximum (1), red, orange, green, blue or clear lens (light source not included).

Each illuminated unit can be fitted with either:

- 3 an incandescent bulb,
- 4 a base mounted Super Bright LED with integrated light diffuser, or
- 5 a "flash" discharge tube.

Base mounted LEDs and "flash" discharge tubes can be fitted or removed without using a tool.

The assembly detailed above mounts on either:

- 6 an aluminium support tube (length 100, 250 or 400 mm) mounted on a fixing bracket,
- 7 an aluminium support tube (length 100, 250 or 400 mm) mounted on a plastic fixing plate,
- 8 a plastic fixing plate for direct mounting under the base unit.

(1) Maximum configuration possibilities:

- 5 illuminated units mounted on base unit without buzzer.
- 4 illuminated units mounted on base unit fitted with buzzer.

4

Environment			
Degree of protection	Conforming to IEC 60529		IP 54 in horizontal position (XVM with plastic fixing base) IP 42 in vertical position (XVM with metal bracket) IP 40 in other positions (all types of XVM tower lights)
Product certifications			CCC
Approval			CE
Conformity to standards			EN/IEC 60947-1, EN/IEC 60947-5-1
Ambient air temperature	For storage	°C	- 25...+ 70
	For operation	°C	- 10...+ 50
Electric shock protection Conforming to IEC 61140	Mounted on aluminium support tube		Class I
	Mounted on base		Class II
Protective treatment			Standard version "TC"
Electronic components protection (LED and "flash")	Fuse to be connected in series on common	A	0.2 (~ 120...230 V)

Electrical characteristics						
Light sources			Incandescent bulbs	Super Bright LEDs		"Flash" discharge tube, 0.8 Joule
				Steady light signalling	Flashing light signalling	
Rated insulation voltage (Ui)	Conforming to EN/IEC 60947-1	V	250			
Voltage limits	Conforming to IEC 60947-5-1		0.85...1.10 Un			
Light sources fixing type	For mounting in BA 15d base, push-and-turn (15°)		BA 15d base fitting			
Consumption	On ~ 24 V	mA	5 W max.	43	45	140 (on ~) 98 (on ---)
	On ~ 120 V	mA	5 W max.	16	16	33
	On ~ 230 V	mA	5 W max.	15	15	20
Rated impulse withstand voltage	Conforming to EN/IEC 60947-1	kV	Uimp = 4			
Illuminating power	Average value for all colours	cds/m²	650	900	900	–
Flashing frequency	Nominal value	Hz	–	–	1	0.8
Audible unit (base unit fitted with buzzer)						
Consumption	On ~ 24 V	mA	65			
	On ~ 120 V	mA	45			
	On ~ 230 V	mA	30			
Power	Continuous or intermittent tone	dB	0...85 at 1 m			
	Fundamental frequency	kHz	4 for continuous tone			
Connection of illuminated and audible units						
Terminal referencing			<input type="checkbox"/> 1 terminal referenced <b>N</b> : common to all 5 units, including base unit fitted with buzzer <input type="checkbox"/> 1 terminal referenced <b>B</b> : for base unit fitted with buzzer <input type="checkbox"/> 4 terminals referenced <b>1 - 2 - 3 - 4</b> : for 4 illuminated units mounted on base unit fitted with buzzer <input type="checkbox"/> 5 terminals referenced <b>1 - 2 - 3 - 4 - 5</b> : for 5 illuminated units mounted on base unit without buzzer			
Connection	Flying leads on pre-cabled tower lights		Wire c.s.a.: 1 x 0.33 mm² / AWG 22 (1)			
	Screw terminals		Max.: 1 x 1.5 mm² / AWG 16 (1) Min.: 1 x 0.33 mm² / AWG 22 (1)			

(1) AWG : American Wire Gauge.

# Signalling solutions

## Modular tower lights

### Harmony type XVM Ø 45 mm

#### Pre-assembled/pre-cabled tower lights



XVM ●● RWSB  
XVM ●● RSWSB

#### Pre-assembled and pre-cabled tower lights with one illuminated unit

Description	Light source (included)	Voltage (V)	Signalling colour (1)			Reference	Weight kg
			Steady	Flashing	"Flash"		
<b>With fixing base for mounting on horizontal support (plastic fixing plate)</b>							
<b>Without buzzer</b>	Super Bright LED With integral light diffuser	≈ 24	R	–	–	<b>XVM B2RWSB</b>	0.210
		~ 120	R	–	–	<b>XVM G2RWSB</b>	0.210
		~ 230	R	–	–	<b>XVM M2RWSB</b>	0.210
<b>With buzzer integrated in base unit</b>	Super Bright LED With integral light diffuser	≈ 24	R	–	–	<b>XVM B2RSWSB</b>	0.210
		~ 120	R	–	–	<b>XVM G2RSWSB</b>	0.210
		~ 230	R	–	–	<b>XVM M2RSWSB</b>	0.210
<b>With fixing base for mounting on horizontal support (250 mm aluminium support tube + plastic fixing plate)</b>							
<b>Without buzzer"</b>	Super Bright LED With integral light diffuser	≈ 24	R	–	–	<b>XVM B2RHSB</b>	0.260
		~ 120	R	–	–	<b>XVM G2RHSB</b>	0.260
		~ 230	R	–	–	<b>XVM M2RHSB</b>	0.260
<b>With buzzer integrated in base unit</b>	Super Bright LED With integral light diffuser	≈ 24	R	–	–	<b>XVM B2RSHSB</b>	0.260
		~ 120	R	–	–	<b>XVM G2RSHSB</b>	0.260
		~ 230	R	–	–	<b>XVM M2RSHSB</b>	0.260
<b>With fixing base for mounting on vertical support (250 mm aluminium support tube + metal bracket)</b>							
<b>Without buzzer</b>	Super Bright LED With integral light diffuser	≈ 24	R	–	–	<b>XVM B2RSB</b>	0.360
		~ 120	R	–	–	<b>XVM G2RSB</b>	0.360
		~ 230	R	–	–	<b>XVM M2RSB</b>	0.360
<b>With buzzer integrated in base unit</b>	Super Bright LED With integral light diffuser	≈ 24	R	–	–	<b>XVM B2RSSB</b>	0.360
		~ 120	R	–	–	<b>XVM G2RSSB</b>	0.360
		~ 230	R	–	–	<b>XVM M2RSSB</b>	0.360



XVM ●● RSB  
XVM ●● RSSB

(1) Signalling colour: R: red.

# Signalling solutions

## Modular tower lights

### Harmony type XVM Ø 45 mm

#### Pre-assembled/pre-cabled tower lights

PF100902



XVM ●●RAWSB  
XVM ●●RASWSB

4

PF100917



XVM ●●RA  
XVM ●●RASB  
XVM ●●RAS  
XVM ●●RASSB

#### Pre-assembled and pre-cabled tower lights with two illuminated units

Description	Light source (included)	Voltage (V)	Signalling colour (1)			Reference (2)	Weight kg
			Steady	Flashing	"Flash"		
<b>With fixing base for mounting on horizontal support (plastic fixing plate)</b>							
Without buzzer	Super Bright LED	≈ 24	R-O	–	–	XVM B2RAWBSB	0.270
	With integral light diffuser	~ 120	R-O	–	–	XVM G2RAWBSB	0.270
		~ 230	R-O	–	–	XVM M2RAWBSB	0.270
With buzzer integrated in base unit	Super Bright LED	≈ 24	R-O	–	–	XVM B2RASWSB	0.270
	With integral light diffuser	~ 120	R-O	–	–	XVM G2RASWSB	0.270
		~ 230	R-O	–	–	XVM M2RASWSB	0.270
<b>With fixing base for mounting on vertical support (250 mm aluminium support tube + metal bracket)</b>							
Without buzzer	Incandescent bulb, 5 W	≈ 24	R-O	–	–	XVM B1RA	0.420
			R-G	–	–	XVM B1RG	0.420
		~ 120	R-O	–	–	XVM G1RA	0.420
			R-G	–	–	XVM G1RG	0.420
		~ 230	R-O	–	–	XVM M1RA	0.420
			R-G	–	–	XVM M1RG	0.420
	Super Bright LED With integral light diffuser	≈ 24	R-O	–	–	XVM B2RASB	0.420
			R-G	–	–	XVM B2RGSB	0.420
			G	R	–	XVM B2R5GSB	0.420
			R	O	–	XVM B2RA5SB	0.420
			–	R-O	–	XVM B2R5A5SB	0.420
			~ 120	R-O	–	–	XVM G2RASB
R-G	–	–	XVM G2RGSB	0.420			
G	R	–	XVM G2R5GSB	0.420			
R	O	–	XVM G2RA5SB	0.420			
–	R-O	–	XVM G2R5A5SB	0.420			
~ 230	R-O	–	–	XVM M2RASB	0.420		
	R-G	–	–	XVM M2RGSB	0.420		
	G	R	–	XVM M2R5GSB	0.420		
	R	O	–	XVM M2RA5SB	0.420		
	–	R-O	–	XVM M2R5A5SB	0.420		
	With buzzer integrated in base unit	Incandescent bulb, 5 W	≈ 24	R-O	–	–	XVM B1RAS
R-G				–	–	XVM B1RGS	0.420
~ 120			R-O	–	–	XVM G1RAS	0.420
			R-G	–	–	XVM G1RGS	0.420
~ 230			R-O	–	–	XVM M1RAS	0.420
			R-G	–	–	XVM M1RGS	0.420
Super Bright LED With integral light diffuser		≈ 24	R-O	–	–	XVM B2RASSB	0.420
			R-G	–	–	XVM B2RGSSB	0.420
			G	R	–	XVM B2R5GSSB	0.420
			R	O	–	XVM B2RA5SSB	0.420
			–	R-O	–	XVM B2R5A5SSB	0.420
			~ 120	R-O	–	–	XVM G2RASSB
R-G	–	–	XVM G2RGSSB	0.420			
G	R	–	XVM G2R5GSSB	0.420			
R	O	–	XVM G2RA5SSB	0.420			
–	R-O	–	XVM G2R5A5SSB	0.420			
~ 230	R-O	–	–	XVM M2RASSB	0.420		
	R-G	–	–	XVM M2RGSSB	0.420		
	G	R	–	XVM M2R5GSSB	0.420		
	R	O	–	XVM M2RA5SSB	0.420		
	–	R-O	–	XVM M2R5A5SSB	0.420		

(1) Signalling colour: R: red; O: orange; G: green.

(2) In the references, the colours are listed in same order as the mounting of the illuminated units (from top to bottom).

# Signalling solutions

## Modular tower lights

### Harmony type XVM Ø 45 mm

#### Pre-assembled/pre-cabled tower lights

PF100903



XVM ●●RAHSB  
XVM ●●RGHSB

#### Pre-assembled and pre-cabled tower lights with two illuminated units (continued)

Description	Light source (included)	Voltage (V)	Signalling colour (1)			Reference (2)	Weight kg
			Steady	Flashing	"Flash"		
<b>With fixing base for mounting on horizontal support (250 mm aluminium support tube + plastic fixing plate)</b>							
Without buzzer	Super Bright LED With integral light diffuser	≈ 24	R-O	–	–	XVM B2RAHSB	0.320
			R-G	–	–	XVM B2RGHSB	0.320
		~ 120	R-O	–	–	XVM G2RAHSB	0.320
			R-G	–	–	XVM G2RGHSB	0.320
		~ 230	R-O	–	–	XVM M2RAHSB	0.320
			R-G	–	–	XVM M2RGHSB	0.320
With buzzer integrated in base unit	Super Bright LED With integral light diffuser	≈ 24	R-O	–	–	XVM B2RASHSB	0.320
			R-G	–	–	XVM B2RGSHSB	0.320
		~ 120	R-O	–	–	XVM G2RASHSB	0.320
			R-G	–	–	XVM G2RGSHSB	0.320
		~ 230	R-O	–	–	XVM M2RASHSB	0.320
			R-G	–	–	XVM M2RGSHSB	0.320

#### Pre-assembled and pre-cabled tower lights with three illuminated units

Description	Light source (included)	Voltage (V)	Signalling colour (1)			Reference (2)	Weight kg
			Steady	Flashing	"Flash"		
<b>With fixing base for mounting on horizontal support (plastic fixing plate)</b>							
Without buzzer	Super Bright LED With integral light diffuser	≈ 24	R-O-G	–	–	XVM B2RAGWSB	0.320
		~ 120	R-O-G	–	–	XVM G2RAGWSB	0.320
		~ 230	R-O-G	–	–	XVM M2RAGWSB	0.320
With buzzer integrated in base unit	Super Bright LED With integral light diffuser	≈ 24	R-O-G	–	–	XVM B2RAGWSB	0.320
		~ 120	R-O-G	–	–	XVM G2RAGWSB	0.320
		~ 230	R-O-G	–	–	XVM M2RAGWSB	0.320
<b>With fixing base for mounting on horizontal support (250 mm aluminium support tube + plastic fixing plate)</b>							
Without buzzer	Super Bright LED With integral light diffuser	≈ 24	R-O-G	–	–	XVM B2RAGHSB	0.380
			R-G	O	–	XVM B2RA5GHSB	0.380
		~ 120	R-O-G	–	–	XVM G2RAGHSB	0.380
			R-G	O	–	XVM G2RA5GHSB	0.380
		~ 230	R-O-G	–	–	XVM M2RAGHSB	0.380
			R-G	O	–	XVM M2RA5GHSB	0.380
With buzzer integrated in base unit	Super Bright LED With integral light diffuser	≈ 24	R-O-G	–	–	XVM B2RAGSHSB	0.380
			R-G	O	–	XVM B2RA5GSHSB	0.380
		~ 120	R-O-G	–	–	XVM G2RAGSHSB	0.380
			R-G	O	–	XVM G2RA5GSHSB	0.380
		~ 230	R-O-G	–	–	XVM M2RAGSHSB	0.380
			R-G	O	–	XVM M2RA5GSHSB	0.380

PF100907



PF100904

XVM ●●RAGHSB  
XVM ●●RAGSHSB

XVM ●●RAGWSB  
XVM ●●RAGWSB

(1) Signalling colour: R: red; O: orange; G: green.

(2) In the references, the colours are listed in same order as the mounting of the illuminated units (from top to bottom).

# Signalling solutions

## Modular tower lights

### Harmony type XVM Ø 45 mm

#### Pre-assembled/pre-cabled tower lights

PF100908



XVM ●●RAG  
XVM ●●RAGSB

#### Pre-assembled and pre-cabled tower lights with three illuminated units (continued)

Description	Light source (included)	Voltage (V)	Signalling colour (1)			Reference (2)	Weight kg
			Steady	Flashing	"Flash"		
<b>With fixing base for mounting on vertical support (250 mm aluminium support tube + metal bracket)</b>							
Without buzzer	Incandescent bulb, 5 W	≈ 24	R-O-G	–	–	XVM B1RAG	0.480
			O-G	–	R	XVM B1R6AG	0.480
		≈ 120	R-O-G	–	–	XVM G1RAG	0.480
			O-G	–	R	XVM G1R6AG	0.480
		≈ 230	R-O-G	–	–	XVM M1RAG	0.480
			O-G	–	R	XVM M1R6AG	0.480
	Super Bright LED with integral light diffuser	≈ 24	R-O-G	–	–	XVM B2RAGSB	0.480
				O-G	–	R	XVM B2R6AGSB
			R-G	O	–	XVM B2RA5GSB	0.480
				G	R-O	–	XVM B2R5A5GSB
			G	O	R	XVM B2R6A5GSB	0.480
				≈ 120	R-O-G	–	–
O-G		–	R			XVM G2R6AGSB	0.480
R-G		O	–		XVM G2RA5GSB	0.480	
		G	R-O		–	XVM G2R5A5GSB	0.480
G		O	R		XVM G2R6A5GSB	0.480	
		≈ 230	R-O-G		–	–	XVM M2RAGSB
O-G				–	R	XVM M2R6AGSB	0.480
R-G	O		–	XVM M2RA5GSB	0.480		
	G		R-O	–	XVM M2R5A5GSB	0.480	
G	O		R	XVM M2R6A5GSB	0.480		
	With buzzer integrated in base unit		Incandescent bulb, 5 W	≈ 24	R-O-G	–	–
O-G		–			R	XVM B1R6AGS	0.480
≈ 120		R-O-G		–	–	XVM G1RAGS	0.480
		O-G		–	R	XVM G1R6AGS	0.480
≈ 230		R-O-G		–	–	XVM M1RAGS	0.480
		O-G		–	R	XVM M1R6AGS	0.480
Super Bright LED with integral light diffuser		≈ 24	R-O-G	–	–	XVM B2RAGSSB	0.480
				O-G	–	R	XVM B2R6AGSSB
			R-G	O	–	XVM B2RA5GSSB	0.480
				G	R-O	–	XVM B2R5A5GSSB
			G	O	R	XVM B2R6A5GSSB	0.480
				≈ 120	R-O-G	–	–
	O-G	–	R			XVM G2R6AGSSB	0.480
	R-G	O	–		XVM G2RA5GSSB	0.480	
		G	R-O		–	XVM G2R5A5GSSB	0.480
	G	O	R		XVM G2R6A5GSSB	0.480	
		≈ 230	R-O-G		–	–	XVM M2RAGSSB
	O-G			–	R	XVM M2R6AGSSB	0.480
R-G	O		–	XVM M2RA5GSSB	0.480		
	G		R-O	–	XVM M2R5A5GSSB	0.480	
G	O		R	XVM M2R6A5GSSB	0.480		

PF100908



XVM ●●RAGS  
XVM ●●RAGSSB

(1) Signalling colour: R: red; O: orange; G: green.

(2) In the references, the colours are listed in same order as the mounting of the illuminated units (from top to bottom).

# Signalling solutions

## Modular tower lights

### Harmony type XVM Ø 45 mm

#### Pre-assembled/pre-cabled tower lights

PF 100909



XVM ●●RAGBWSB  
XVM ●●RAGBSWSB

PF 100910



XVM ●●RAGBHSB  
XVM ●●RAGBSHSB

#### Pre-assembled and pre-cabled tower lights with four illuminated units

Description	Light source (included)	Voltage (V)	Signalling colour (1)			Reference (2)	Weight kg
			Steady	Flashing	"Flash"		
<b>With fixing base for mounting on horizontal support (plastic fixing plate)</b>							
Without buzzer	Super Bright LED With integral light diffuser	≈ 24	R-O-G-B	-	-	<b>XVM B2RAGBWSB</b>	0.390
		~ 120	R-O-G-B	-	-	<b>XVM G2RAGBWSB</b>	0.390
		~ 230	R-O-G-B	-	-	<b>XVM M2RAGBWSB</b>	0.390
With buzzer integrated in base unit	Super Bright LED With integral light diffuser	≈ 24	R-O-G-B	-	-	<b>XVM B2RAGBSWSB</b>	0.390
		~ 120	R-O-G-B	-	-	<b>XVM G2RAGBSWSB</b>	0.390
		~ 230	R-O-G-B	-	-	<b>XVM M2RAGBSWSB</b>	0.390
<b>With fixing base for mounting on horizontal support (250 mm aluminium support tube + plastic fixing plate)</b>							
Without buzzer	Super Bright LED With integral light diffuser	≈ 24	R-O-G-B	-	-	<b>XVM B2RAGBHSB</b>	0.440
		~ 120	R-O-G-B	-	-	<b>XVM G2RAGBHSB</b>	0.440
		~ 230	R-O-G-B	-	-	<b>XVM M2RAGBHSB</b>	0.440
With buzzer integrated in base unit	Super Bright LED With integral light diffuser	≈ 24	R-O-G-B	-	-	<b>XVM B2RAGBSHSB</b>	0.440
		~ 120	R-O-G-B	-	-	<b>XVM G2RAGBSHSB</b>	0.440
		~ 230	R-O-G-B	-	-	<b>XVM M2RAGBSHSB</b>	0.440
<b>With fixing base for mounting on vertical support (250 mm aluminium support tube + metal bracket)</b>							
Without buzzer	Incandescent bulb, 5 W	≈ 24	R-O-G-B	-	-	<b>XVM B1RAGB</b>	0.540
		≈ 120	R-O-G-B	-	-	<b>XVM G1RAGB</b>	0.540
		≈ 230	R-O-G-B	-	-	<b>XVM M1RAGB</b>	0.540
	Super Bright LED With integral light diffuser	≈ 24	R-O-G-B	-	-	<b>XVM B2RAGBSB</b>	0.540
		~ 120	R-O-G-B	-	-	<b>XVM G2RAGBSB</b>	0.540
		~ 230	R-O-G-B	-	-	<b>XVM M2RAGBSB</b>	0.540
With buzzer integrated in base unit	Incandescent bulb, 5 W	≈ 24	R-O-G-B	-	-	<b>XVM B1RAGBS</b>	0.540
		≈ 120	R-O-G-B	-	-	<b>XVM G1RAGBS</b>	0.540
		≈ 230	R-O-G-B	-	-	<b>XVM M1RAGBS</b>	0.540
	Super Bright LED With integral light diffuser	≈ 24	R-O-G-B	-	-	<b>XVM B2RAGBSSB</b>	0.540
		~ 120	R-O-G-B	-	-	<b>XVM G2RAGBSSB</b>	0.540
		~ 230	R-O-G-B	-	-	<b>XVM M2RAGBSSB</b>	0.540

(1) Signalling colour: R: red; O: orange; G: green; B: blue.

(2) In the references, the colours are listed in same order as the mounting of the illuminated units (from top to bottom).

# Signalling solutions

## Modular tower lights

### Harmony type XVM Ø 45 mm

#### Tower lights for customer assembly

PF100914



XVM C3●

PF100918



XVM C29●

121255



XVM Z02

121257



XVM Z02T

PF100915



XVM Z06

#### Customer assembled tower lights

Description	Details	Voltage V	Colour	Reference	Weight kg
<b>Illuminated units</b>					
<b>Lens units only for BA 15d base fitting bulb</b>	Bulb not included, 5 W max.	Up to ~ 230	Green	<b>XVM C33</b>	0.040
			Red	<b>XVM C34</b>	0.040
			Orange	<b>XVM C35</b>	0.040
			Blue	<b>XVM C36</b>	0.040
			Clear	<b>XVM C37</b>	0.040

#### Base mounting units

Description	Details	Voltage V	Colour	Reference	Weight kg
<b>Base unit and cover</b>	Base unit without buzzer	–	White	<b>XVM C21</b>	0.100
		~ 24	White	<b>XVM C29B</b>	0.100
		~ 120	White	<b>XVM C29G</b>	0.100
		~ 230	White	<b>XVM C29M</b>	0.100
<b>Base unit and cover + fixing base (250 mm support tube + bracket)</b>	Base unit without buzzer	–	White	<b>XVM C213T</b>	0.300
		~ 24	White	<b>XVM C29B3T</b>	0.300
		~ 120	White	<b>XVM C29G3T</b>	0.300
		~ 230	White	<b>XVM C29M3T</b>	0.300

#### Fixing bases

Description	Length mm	Height under base unit mm	Colour	Reference	Weight kg
<b>Ø 20 mm aluminium support tube + plastic fixing plate</b>	100	106	White	<b>XVM Z02</b>	0.100
	250	256	White	<b>XVM Z03</b>	0.100
	400	406	White	<b>XVM Z04</b>	0.200
<b>Ø 20 mm aluminium support tube + metal bracket</b>	100	113	–	<b>XVM Z02T</b>	0.200
	250	263	–	<b>XVM Z03T</b>	0.200
	400	413	–	<b>XVM Z04T</b>	0.300
<b>Plastic fixing plate</b>	–	–	White	<b>XVM Z06</b>	0.300

# Signalling solutions

## Modular tower lights

### Harmony type XVM Ø 45 mm

#### Tower lights for customer assembly

#### Customer assembled tower lights (continued)

##### Light sources for lens units (1)

Description	Signalling	Sold in lots of	Voltage V	Colour	Unit reference	Weight kg
 121259 DL1 ED●S Incandescent bulbs, 5 W	Steady light	10	~ 24	–	DL1 EDBS	0.007
			~ 120	–	DL1 EDGS	0.007
			~ 230	–	DL1 EDMS	0.007
 121260 DL2 E●●●SB Super Bright LEDs with integral light diffuser	<input type="checkbox"/> Steady light: replace the ● by D in the references shown on the right. <input type="checkbox"/> Flashing light: replace the ● by K in the references shown on the right.	1	~ 24	White	DL2 E●B1SB	0.020
				Green	DL2 E●B3SB	0.020
				Red	DL2 E●B4SB	0.020
				Blue	DL2 E●B6SB	0.020
				Orange	DL2 E●B8SB	0.020
			~ 120	White	DL2 E●G1SB	0.020
				Green	DL2 E●G3SB	0.020
				Red	DL2 E●G4SB	0.020
				Blue	DL2 E●G6SB	0.020
				Orange	DL2 E●G8SB	0.020
~ 230	White	DL2 E●M1SB	0.020			
	Green	DL2 E●M3SB	0.020			
	Red	DL2 E●M4SB	0.020			
	Blue	DL2 E●M6SB	0.020			
	Orange	DL2 E●M8SB	0.020			
 121261 DL6 B● "Flash" discharge tubes, 0.8 Joule	"Flash"	1	~ 24	–	DL6 BB	0.022
			~ 120	–	DL6 BG	0.022
			~ 230	–	DL6 BM	0.022

(1) All light sources are push-and-turn (15°) mounting in a BA 15d base within the illuminated units.

#### Accessories for pre-assembled/pre-cabled and customer assembled tower lights

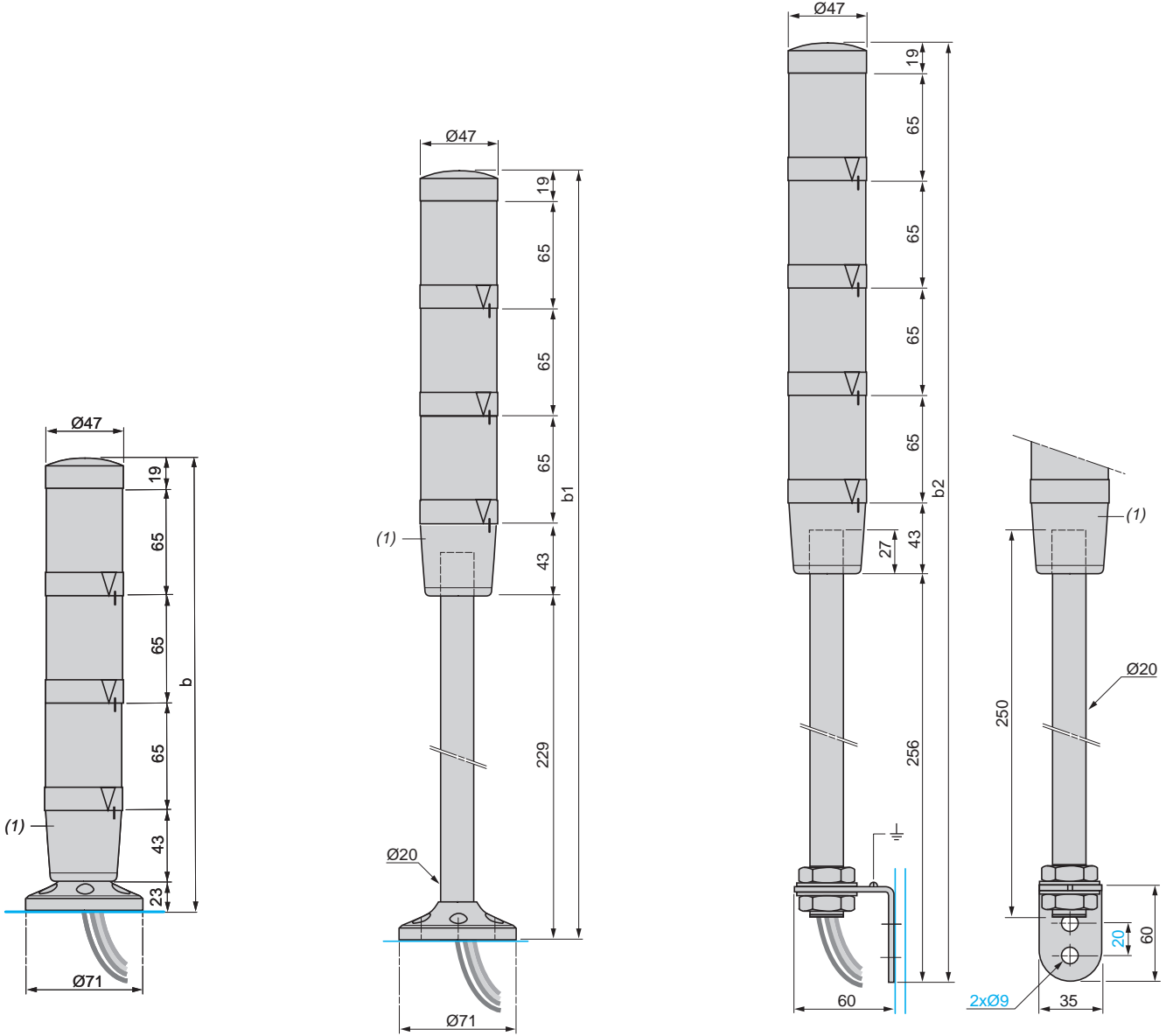
Description	Details	Reference	Weight kg
Cover only	White	XVM Z081	–
Mounting tool	For fitting and removal of incandescent bulbs type DL1	ZBZ X13	–

## Pre-assembled and pre-cabled tower lights

With fixing base for mounting on horizontal support (plastic fixing plate)

With fixing base for mounting on horizontal support (support tube + plastic fixing plate)

With fixing base for mounting on horizontal support (support tube + metal bracket)

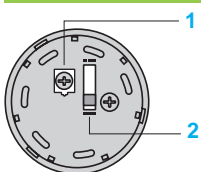


(1) Base unit with or without buzzer.

### Height of pre-assembled and pre-cabled tower lights

Number of illuminated units	b (mm)	b1 (mm)	b2 (mm)
1 unit	150	356	383
2 units	215	421	448
3 units	280	486	513
4 units	345	551	578

### Adjustment of audible signal on buzzer type unit



#### Base unit with integral buzzer (viewed from above)

- 1 Volume adjustment potentiometer: 0 to 85 dB. Use either a cross headed or flat tipped screwdriver.
- 2 2-position selector for type of audible signal:
  - continuous tone
  - - - intermittent tone

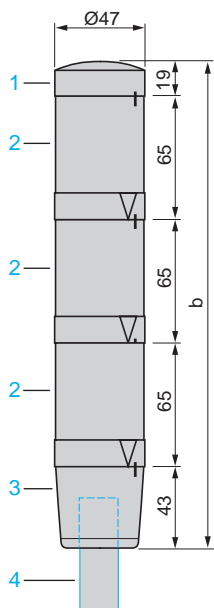
# Signalling solutions

## Modular tower lights

### Harmony type XVM Ø 45 mm

#### Tower lights for customer assembly

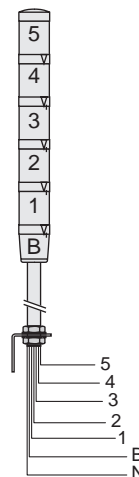
### Customer assembled tower lights



- 1 Cover
- 2 Illuminated unit
- 3 Base unit (with or without buzzer)
- 4 Fixing base (see below)

Number of illuminated units (ref. 2)	b (mm)
1	127
2	192
3	257
4	322
5	387

### Connecting scheme



#### Indicator bank with buzzer

- (4 illuminated units max.)
- 4: 4<sup>th</sup> illuminated unit (yellow wire)
  - 3: 3<sup>rd</sup> illuminated unit (green wire)
  - 2: 2<sup>nd</sup> illuminated unit (white wire)
  - 1: 1<sup>st</sup> illuminated unit (blue wire)
  - N: common (black wire)
  - B: Buzzer (grey wire)

#### Indicator bank without buzzer

- 5: 5<sup>th</sup> illuminated unit (red wire)
- 4: 4<sup>th</sup> illuminated unit (yellow wire)
- 3: 3<sup>rd</sup> illuminated unit (green wire)
- 2: 2<sup>nd</sup> illuminated unit (white wire)
- 1: 1<sup>st</sup> illuminated unit (blue wire)
- N: common (black wire)

#### Maximum capacity for wiring through support tube:

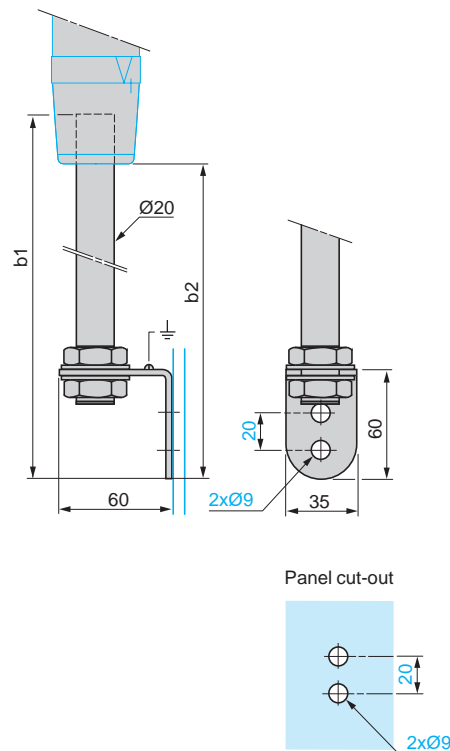
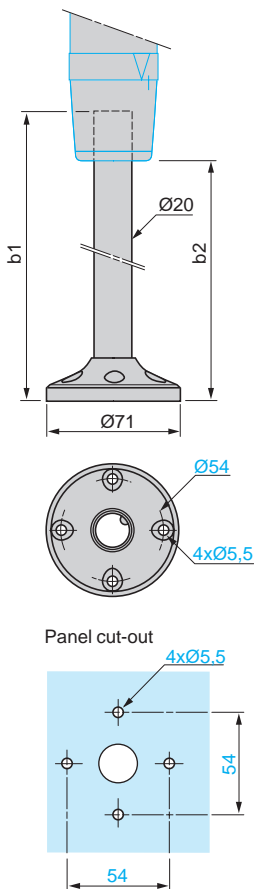
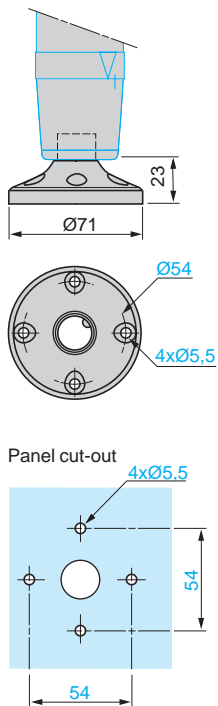
- 6 wires x 1 mm<sup>2</sup>,
- 5 wires x 1.5 mm<sup>2</sup>

### Fixing bases

XVM Z06, for mounting on horizontal support

XVM Z0●, for mounting on horizontal support

XVM Z0●T, for mounting on vertical support



Support tube length	b1 (tube + plate)	b2 (height under base unit)	Support tube length	b1 (tube + bracket)	b2 (height under base unit)
100	106	79	100	133	106
250	256	229	250	283	256
400	406	379	400	433	406

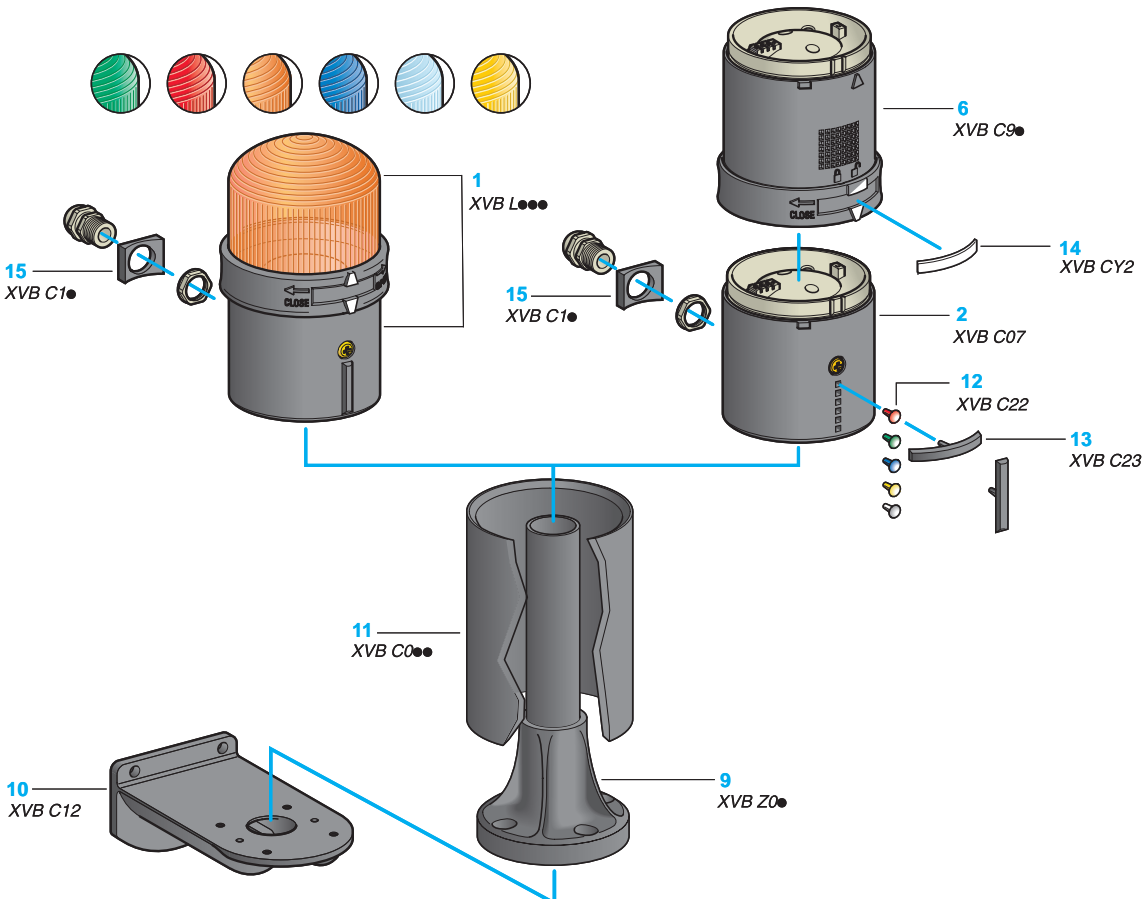
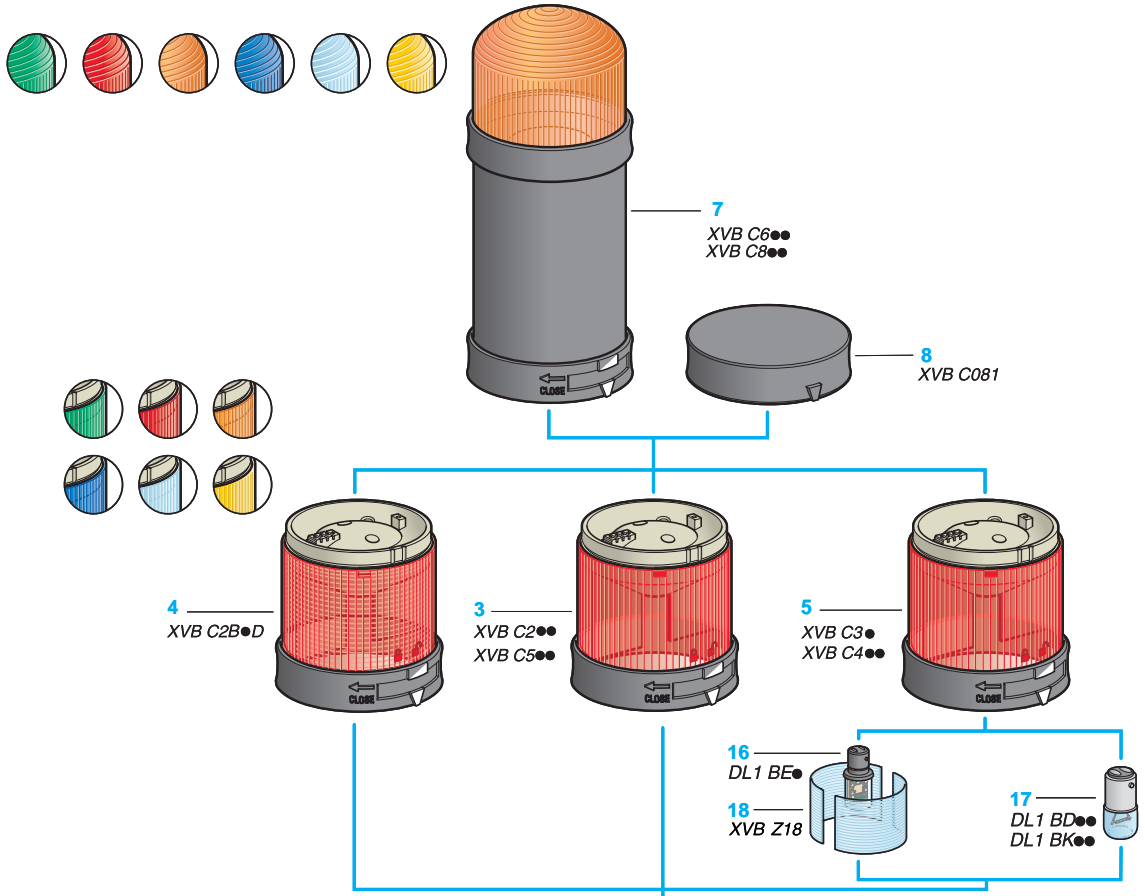


# Signalling solutions

Modular tower lights

Harmony type XVB Ø 70 mm

Illuminated beacons, tower lights for customer assembly (up to 5 units)



4

# Signalling solutions

## Modular tower lights

### Harmony type XVB Ø 70 mm

Illuminated beacons, tower lights for customer assembly  
(up to 5 units)

#### Illuminated beacon

##### Complete product XVB L

Ready assembled **1** with a single illuminated signalling unit:

- steady light (with incandescent bulb or LED),
- flashing light (with incandescent bulb or LED),
- or "flash" (with discharge tube).

The **XVB L** beacon comprises:

- A base unit with a removable terminal block and bottom or side cable entry.
- One coloured illuminated unit (green, red, orange, blue, clear or yellow).

#### Tower light

##### Customer assembled product XVB C

Variable composition assembly of 1 to 5 illuminated or audible units which are supplied as separate items (assembly by user). Maximum configuration: 5 units or 4 units + 1 "flash" unit.

The tower light **XVB C** comprises:

- A base unit with a removable terminal block and bottom or side cable entry **2**.
- 1 to 5 coloured illuminated units (green, red, orange, blue, clear or yellow):
  - with integral LED **3**,
  - with integral LED and diffuser **4 (1)**,
  - for incandescent bulbs or base mounted LEDs **5**.
- 1 or 2 audible units **6**.
- A maximum of 1 "flash" discharge unit (5 Joule or 10 Joule) **7**, for mounting on top of the bank.
- A top cover **8** (except when using a "flash" discharge tube).

■ The illuminated or audible units stack vertically and are easily locked and unlocked using an integral clamping ring. Electrical connections between each unit are made automatically.

■ A light diffuser, pre-fitted in illuminated units XVB C2B•D with a base mounted LED, distributes the light evenly over the lens surface. When using the modular tower lights in bright ambient light conditions, remove the diffuser to improve contrast.

■ Connection on the AS-Interface cabling system is possible by ordering a dedicated base unit. Please refer to our "Industrial communication in machines and installations" catalogue.

#### Accessories

##### For illuminated beacons XVB L and tower lights XVB C

- Fixing base comprising a support tube glued into a plastic fixing plate, for a height beneath the base unit of 80, 380 or 780 mm **9**.
- Fixing plate for mounting on vertical support **10**.
- Support tube concealment cover, height 100, 400 or 800 mm **11**.
- Coloured markers **12 (1)**.
- Legend holder with legend **13 (1)**.
- Legends that attach to locking ring of each signalling unit for identification **14**.
- Adaptor and 13P cable gland **15**.
- Base mounted LED **16** or incandescent bulb **17**.
- Diffuser **18 (2)**.

#### Installation

##### Mounting

- Base unit fixed directly onto panel using 2 screws.
- Fixed using a fixing base comprising an aluminium support tube glued into a plastic fixing plate.

##### Cabling

By means of removable terminal block incorporated in base unit (simplified wiring). The screw and captive cable clamp terminals are protected to prevent any accidental contact with live parts.

(1) These enable the position of the various units (illuminated or audible) to be identified in the event of dismantling the bank.

(2) The diffuser can only be used with LED illuminated units. Not compatible with units fitted with an incandescent bulb or "flash" discharge tube.

# Signalling solutions

Modular tower lights

Harmony type XVB Ø 70 mm

Illuminated beacons, tower lights for customer assembly  
(up to 5 units)

## Environment characteristics

<b>Product certifications</b>	Standard version		CSA C22-2 n°14, UL 508, CCC, GOST
<b>Conformity to standards</b>			EN/IEC 60947-5-1
<b>Protective treatment</b>	Standard version		"TC"
<b>Ambient air temperature</b>	For storage	°C	- 40...+ 70
	For operation (1)	°C	<b>Illuminated units with steady light signalling:</b> - 25...+ 70, with 7 W incandescent bulb - 25...+ 50, with LED
		°C	<b>Illuminated units with flashing light signalling:</b> - 25...+ 50, with 7 W incandescent bulb - 25...+ 50, with LED
		°C	<b>Illuminated units with "flash" discharge tube:</b> - 25...+ 50
		°C	<b>Audible units:</b> - 25...+ 50, with buzzer
<b>Electric shock protection</b> Conforming to IEC 61140	Mounted on support tube		Class I
	Mounted on base unit		Class II
<b>Degree of protection</b>	Conforming to IEC 60529		IP 65 (mounted on fixing base XVB Z0●) IP 66 (mounted directly on base unit)
	Conforming to UL 508		Type 4X NEMA "Indoor"
<b>Material</b>	Illuminated units		Polycarbonate
	Base unit and cover		Glass-reinforced polyamide and polycarbonate
	Support tube		Painted aluminium
	Fixing plate for use on vertical support		Zamak
	Fixing plate for use on horizontal support		Polyamide 66
	Support tube concealment cover		ABS

(1) Warning: illuminated units with incandescent bulbs must not be combined with LED illuminated units, due to the risk of overheating. Also, when different units (e.g. steady, flashing...) are combined, the maximum temperature is limited to that of the weaker unit.

Electrical characteristics			
<b>Rated insulation voltage (Ui)</b>	Conforming to EN/IEC 60947-1	<b>V</b>	250
<b>Voltage limits</b>	Conforming to EN/IEC 60947-5-1	<b>V</b>	0.85 to 1.10 Un (Un: nominal voltage)
<b>Consumption</b>	LED units	<b>mA</b>	<b>Steady light signalling:</b> $\approx$ 24 V: < 47 $\sim$ 120 V: < 17 $\sim$ 230 V: < 17
		<b>mA</b>	<b>Flashing light signalling:</b> $\approx$ 24 V: < 47 $\sim$ 120 V: < 17 $\sim$ 230 V: < 17
	Units with discharge tube (1)	<b>mA</b>	<b>Flashing light signalling:</b> $\sim$ 24 V: 5 J unit: < 550; 10 J unit: < 1 300 $\sim$ 24 V: 5 J unit: < 350; 10 J unit: < 850 $\sim$ 48 V: 10 J unit: < 650 $\sim$ 48 V: 10 J unit: < 400 $\sim$ 120 V: 5 J unit: < 140; 10 J unit: < 290 $\sim$ 230 V: 5 J unit: < 105; 10 J unit: < 280
	Audible units	<b>mA</b>	$\approx$ 12...48 V: < 15 $\sim$ 120...230 V: < 25
<b>Rated impulse withstand voltage</b>	Conforming to EN/IEC 60947-1	<b>kV</b>	Uimp = 4
<b>Light source</b>	Illuminated units with steady or flashing light signalling		LEDs: degree of pollution 2 Bulbs with BA 15d base fitting, maximum power 7 W
<b>Illuminating power</b>	Units with discharge tube	<b>cds</b>	13 (integral high intensity tube) with clear lens unit: 5 J tube 26 (integral high intensity tube) with clear lens unit: 10 J tube
<b>Audible unit</b>	Continuous or intermittent tone	<b>dB</b>	90 at 1 m
	Fundamental frequency	<b>kHz</b>	2.8
<b>Terminal referencing</b>			1 terminal referenced "C" common to all 5 units
			1 or 5 terminals referenced 1 to 5, depending on number of units
<b>Connection</b>	Maximum clamping capacity on protected, ready-to-tighten, screw and captive cable clamp terminals	<b>mm<sup>2</sup></b>	1 x 1.5 with cable end
<b>Frequency of illuminated units</b>	Illuminated units with flashing light signalling	<b>Hz</b>	1
	Illuminated units with discharge tube	<b>Hz</b>	1

(1) **Warning:** illuminated units with a "flash" discharge tube are not suitable for steady light signalling due to the heat generated.

# Signalling solutions

Modular tower lights

Harmony type XVB L Ø 70 mm

Illuminated beacons for incandescent bulbs or LEDs  
(BA 15d base fitting)



XVB L3●



XVB L4B●

4

### Illuminated beacons with steady light signalling

Description	Light source, to be ordered separately (1)	Colour	Reference	Weight kg
<b>Complete unit comprising:</b> - 1 illuminated unit - 1 base unit (direct or tube fixing)	Incandescent bulb 7 W max. 250 V max.	Green	<b>XVB L33</b>	0.260
		Red	<b>XVB L34</b>	0.260
		Orange	<b>XVB L35</b>	0.260
		Blue	<b>XVB L36</b>	0.260
		Clear	<b>XVB L37</b>	0.260
		Yellow	<b>XVB L38</b>	0.260

### Illuminated beacons with integral flashing light signalling

Description	Light source, to be ordered separately (1)	Colour	Reference	Weight kg	
<b>Complete unit comprising:</b> - 1 illuminated unit - 1 base unit (direct or tube fixing)	Incandescent bulb 7 W max. ~ 24 V ~ 24...48 V	Green	<b>XVB L4B3</b>	0.280	
		Red	<b>XVB L4B4</b>	0.280	
		Orange	<b>XVB L4B5</b>	0.280	
		Blue	<b>XVB L4B6</b>	0.280	
		Clear	<b>XVB L4B7</b>	0.280	
		Yellow	<b>XVB L4B8</b>	0.280	
		Incandescent bulb 7 W max. ~ 48...230 V	Green	<b>XVB L4M3</b>	0.280
			Red	<b>XVB L4M4</b>	0.280
Orange	<b>XVB L4M5</b>		0.280		
Blue	<b>XVB L4M6</b>		0.280		
Clear	<b>XVB L4M7</b>		0.280		
Yellow	<b>XVB L4M8</b>		0.280		

(1) Incandescent bulbs and LEDs, see page 4/57.

# Signalling solutions

Modular tower lights

Harmony type XVB L Ø 70 mm

Illuminated beacons with LED light source



XVB L0B●

### Illuminated beacons with steady light signalling

Description	Light source	Colour	Reference	Weight kg	
<b>Complete unit comprising:</b> - 1 illuminated unit - 1 base unit (direct or tube fixing)	LED, included ≈ 24 V	Green	<b>XVB L0B3</b>	0.270	
		Red	<b>XVB L0B4</b>	0.270	
		Orange	<b>XVB L0B5</b>	0.270	
		Blue	<b>XVB L0B6</b>	0.270	
		Clear	<b>XVB L0B7</b>	0.270	
		Yellow	<b>XVB L0B8</b>	0.270	
		LED, included ~ 120 V	Green	<b>XVB L0G3</b>	0.270
			Red	<b>XVB L0G4</b>	0.270
Orange	<b>XVB L0G5</b>		0.270		
Blue	<b>XVB L0G6</b>		0.270		
Clear	<b>XVB L0G7</b>		0.270		
Yellow	<b>XVB L0G8</b>		0.270		
LED, included ~ 230 V	Green		<b>XVB L0M3</b>	0.270	
	Red		<b>XVB L0M4</b>	0.270	
	Orange	<b>XVB L0M5</b>	0.270		
	Blue	<b>XVB L0M6</b>	0.270		
	Clear	<b>XVB L0M7</b>	0.270		
	Yellow	<b>XVB L0M8</b>	0.270		

**Protected LED**



XVB L1B●

### Illuminated beacons with integral flashing light signalling

Description	Light source	Colour	Reference	Weight kg	
<b>Complete unit comprising:</b> - 1 illuminated unit - 1 base unit (direct or tube fixing)	LED, included ≈ 24 V	Green	<b>XVB L1B3</b>	0.280	
		Red	<b>XVB L1B4</b>	0.280	
		Orange	<b>XVB L1B5</b>	0.280	
		Blue	<b>XVB L1B6</b>	0.280	
		Clear	<b>XVB L1B7</b>	0.280	
		Yellow	<b>XVB L1B8</b>	0.280	
		LED, included ~ 120 V	Green	<b>XVB L1G3</b>	0.280
			Red	<b>XVB L1G4</b>	0.280
Orange	<b>XVB L1G5</b>		0.280		
Blue	<b>XVB L1G6</b>		0.280		
Clear	<b>XVB L1G7</b>		0.280		
Yellow	<b>XVB L1G8</b>		0.280		
LED, included ~ 230 V	Green		<b>XVB L1M3</b>	0.280	
	Red		<b>XVB L1M4</b>	0.280	
	Orange	<b>XVB L1M5</b>	0.280		
	Blue	<b>XVB L1M6</b>	0.280		
	Clear	<b>XVB L1M7</b>	0.280		
	Yellow	<b>XVB L1M8</b>	0.280		

**Protected LED**

# Signalling solutions

Modular tower lights

Harmony type XVB L Ø 70 mm

Illuminated beacons with “flash” discharge tube



XVB L6B●



XVB L8B●

## Illuminated beacons with 5 Joule “flash” discharge tube

Description	Light source	Colour	Reference	Weight kg	
<b>Complete unit comprising:</b> - 1 illuminated unit - 1 base unit (direct or tube fixing)	Integral “flash” discharge tube ≈ 24 V	Green	XVB L6B3	0.440	
		Red	XVB L6B4	0.440	
		Orange	XVB L6B5	0.440	
		Blue	XVB L6B6	0.440	
		Clear	XVB L6B7	0.440	
		Yellow	XVB L6B8	0.440	
		Integral “flash” discharge tube ~ 120 V	Green	XVB L6G3	0.425
			Red	XVB L6G4	0.425
			Orange	XVB L6G5	0.425
Blue	XVB L6G6		0.425		
Clear	XVB L6G7		0.425		
Integral “flash” discharge tube ~ 230 V	Green	XVB L6M3	0.435		
	Red	XVB L6M4	0.435		
	Orange	XVB L6M5	0.435		
	Blue	XVB L6M6	0.435		
	Clear	XVB L6M7	0.435		
Yellow	XVB L6M8	0.435			

## Illuminated beacons with 10 Joule “flash” discharge tube

Description	Light source	Colour	Reference	Weight kg	
<b>Complete unit comprising:</b> - 1 illuminated unit - 1 base unit (direct or tube fixing)	Integral “flash” discharge tube ≈ 24 V	Green	XVB L8B3	0.450	
		Red	XVB L8B4	0.450	
		Orange	XVB L8B5	0.450	
		Blue	XVB L8B6	0.450	
		Clear	XVB L8B7	0.450	
		Yellow	XVB L8B8	0.450	
		Integral “flash” discharge tube ~ 120 V	Green	XVB L8G3	0.460
			Red	XVB L8G4	0.460
			Orange	XVB L8G5	0.460
Blue	XVB L8G6		0.460		
Clear	XVB L8G7		0.460		
Integral “flash” discharge tube ~ 230 V	Green	XVB L8M3	0.460		
	Red	XVB L8M4	0.460		
	Orange	XVB L8M5	0.460		
	Blue	XVB L8M6	0.460		
	Clear	XVB L8M7	0.460		
Yellow	XVB L8M8	0.460			

## Signalling solutions

Modular tower lights

Harmony type XVB C Ø 70 mm

Tower lights for customer assembly (up to 5 units)

Illuminated units for incandescent bulbs or LEDs (BA 15d base fitting)

For use with base unit XVB C●●: see page 4/56



XVB C3●



XVB C4●●

### Illuminated units with steady light signalling

Description	Light source, to be ordered separately (1)	Colour	Reference	Weight kg
Illuminated units	Incandescent bulb 7 W max. 250 V max. or LED	Green	<b>XVB C33</b>	0.140
		Red	<b>XVB C34</b>	0.140
		Orange	<b>XVB C35</b>	0.140
		Blue	<b>XVB C36</b>	0.140
		Clear	<b>XVB C37</b>	0.140
		Yellow	<b>XVB C38</b>	0.140

### Illuminated units with integral flashing light signalling

Description	Light source, to be ordered separately (1)	Colour	Reference	Weight kg	
Illuminated units	Incandescent bulb 7 W max. ~ 24 V ~ 24...48 V or LED	Green	<b>XVB C4B3</b>	0.160	
		Red	<b>XVB C4B4</b>	0.160	
		Orange	<b>XVB C4B5</b>	0.160	
		Blue	<b>XVB C4B6</b>	0.160	
		Clear	<b>XVB C4B7</b>	0.160	
		Yellow	<b>XVB C4B8</b>	0.160	
		Incandescent bulb 7 W max. ~ 48...230 V or LED	Green	<b>XVB C4M3</b>	0.160
			Red	<b>XVB C4M4</b>	0.160
	Orange		<b>XVB C4M5</b>	0.160	
	Blue		<b>XVB C4M6</b>	0.160	
	Clear		<b>XVB C4M7</b>	0.160	
	Yellow		<b>XVB C4M8</b>	0.160	

(1) Incandescent bulbs and LEDs, see page 4/57.

# Signalling solutions

Modular tower lights

Harmony type XVB C Ø 70 mm

Tower lights for customer assembly (up to 5 units)

Illuminated units with integral LED

For use with base unit XVB C●●: see page 4/56



XVB C2●●



XVB C5●●

### Illuminated units with steady light signalling

Description	Voltage	Colour	Reference	Weight kg
Illuminated units with integral LED	≈ 24 V	Green	XVB C2B3 (1)	0.150
		Red	XVB C2B4 (1)	0.150
		Orange	XVB C2B5 (1)	0.150
		Blue	XVB C2B6 (1)	0.150
		Clear	XVB C2B7 (1)	0.150
		Yellow	XVB C2B8 (1)	0.150
	~ 120 V	Green	XVB C2G3	0.150
		Red	XVB C2G4	0.150
		Orange	XVB C2G5	0.150
		Blue	XVB C2G6	0.150
Clear		XVB C2G7	0.150	
Yellow		XVB C2G8	0.150	
~ 230 V	Green	XVB C2M3	0.150	
	Red	XVB C2M4	0.150	
	Orange	XVB C2M5	0.150	
	Blue	XVB C2M6	0.150	
	Clear	XVB C2M7	0.150	
	Yellow	XVB C2M8	0.150	

### Illuminated units with integral flashing light signalling

Description	Voltage	Colour	Reference	Weight kg
Illuminated units with integral LED	≈ 24 V	Green	XVB C5B3	0.170
		Red	XVB C5B4	0.170
		Orange	XVB C5B5	0.170
		Blue	XVB C5B6	0.170
		Clear	XVB C5B7	0.170
		Yellow	XVB C5B8	0.170
	~ 120 V	Green	XVB C5G3	0.170
		Red	XVB C5G4	0.170
		Orange	XVB C5G5	0.170
		Blue	XVB C5G6	0.170
Clear		XVB C5G7	0.170	
Yellow		XVB C5G8	0.170	
~ 230 V	Green	XVB C5M3	0.170	
	Red	XVB C5M4	0.170	
	Orange	XVB C5M5	0.170	
	Blue	XVB C5M6	0.170	
	Clear	XVB C5M7	0.170	
	Yellow	XVB C5M8	0.170	

(1) To order an illuminated unit with integral LED pre-fitted with light diffuser XVB Z18, add the letter "D" to the end of the reference. Example: XVB C2B3D.

4

# Signalling solutions

Modular tower lights

Harmony type XVB C Ø 70 mm

Tower lights for customer assembly (up to 5 units)

Illuminated units with integral "flash" discharge tube

For use with base unit XVB C●●: see page 4/56



XVB C6●●



XVB C8●●

### Illuminated units with 5 Joule "flash" discharge tube

Description	Light source	Colour	Reference	Weight kg	
Illuminated units	Integral "flash" discharge tube ~ 24 V	Green	<b>XVB C6B3</b>	0.295	
		Red	<b>XVB C6B4</b>	0.295	
		Orange	<b>XVB C6B5</b>	0.295	
		Blue	<b>XVB C6B6</b>	0.295	
		Clear	<b>XVB C6B7</b>	0.295	
		Yellow	<b>XVB C6B8</b>	0.295	
		Integral "flash" discharge tube ~ 120 V	Green	<b>XVB C6G3</b>	0.280
			Red	<b>XVB C6G4</b>	0.280
	Orange		<b>XVB C6G5</b>	0.280	
	Blue		<b>XVB C6G6</b>	0.280	
	Clear		<b>XVB C6G7</b>	0.280	
	Integral "flash" discharge tube ~ 230 V	Green	<b>XVB C6M3</b>	0.290	
		Red	<b>XVB C6M4</b>	0.290	
		Orange	<b>XVB C6M5</b>	0.290	
		Blue	<b>XVB C6M6</b>	0.290	
		Clear	<b>XVB C6M7</b>	0.290	
		Yellow	<b>XVB C6M8</b>	0.290	

### Illuminated units with 10 Joule "flash" discharge tube

Description	Light source	Colour	Reference	Weight kg	
Illuminated units	Integral "flash" discharge tube ~ 24 V	Green	<b>XVB C8B3</b>	0.305	
		Red	<b>XVB C8B4</b>	0.305	
		Orange	<b>XVB C8B5</b>	0.305	
		Blue	<b>XVB C8B6</b>	0.305	
		Clear	<b>XVB C8B7</b>	0.305	
		Yellow	<b>XVB C8B8</b>	0.305	
		Integral "flash" discharge tube ~ 48 V	Orange	<b>XVB C8E5</b>	0.315
		Integral "flash" discharge tube ~ 120 V	Green	<b>XVB C8G3</b>	0.315
	Red		<b>XVB C8G4</b>	0.315	
	Orange		<b>XVB C8G5</b>	0.315	
	Blue		<b>XVB C8G6</b>	0.315	
	Clear		<b>XVB C8G7</b>	0.315	
	Integral "flash" discharge tube ~ 230 V	Green	<b>XVB C8M3</b>	0.315	
		Red	<b>XVB C8M4</b>	0.315	
		Orange	<b>XVB C8M5</b>	0.315	
		Blue	<b>XVB C8M6</b>	0.315	
		Clear	<b>XVB C8M7</b>	0.315	
		Yellow	<b>XVB C8M8</b>	0.315	

# Signalling solutions

## Modular tower lights

### Harmony type XVB C Ø 70 mm

#### Tower lights for customer assembly (up to 5 units)

Audible units, base units, cover, accessories



XVB C9

Audible units			
Description	Characteristics	Reference	Weight kg
<b>Buzzer, 90 dB at 1 m</b> Adjustable: - 70 or 90 dB - continuous or intermittent tone using microswitch	≈ 12...48 V	<b>XVB C9B</b>	0.170
	≈ 120...230 V	<b>XVB C9M</b>	0.180

Base units (for direct or tube fixing)				
Description	For use with	Type	Reference	Weight kg
<b>Base unit + cover</b> with bottom or side cable entry	Modular tower lights without "flash" discharge tube unit	Standard	<b>XVB C21</b>	0.190
<b>Base unit only</b> with bottom or side cable entry	Modular tower lights with "flash" discharge tube unit	Standard	<b>XVB C07</b>	0.160
<b>Base unit + cover</b> with side cable entry	All types of modular tower lights	AS-Interface (1)	<b>XVB C21A</b>	–
<b>Base unit + cover</b> with bottom entry, pre-cabled (length 1 metre) and fitted with M12 end connector	All types of modular tower lights	AS-Interface (1)	<b>XVB C21B</b>	–

(1) For further information on AS-Interface connections, refer to our "Industrial communication in machines and installations" catalogue.

Accessories specific to tower lights XVB C			
Description	Application	Unit reference	Weight kg
<b>Cover only</b>	For use with XVB C2, XVB C3, XVB C4, XVB C5 and XVB C9	<b>XVB C081</b>	0.030
<b>Set of 6 coloured markers</b>	For identification of the position of units in the event of dismantling the modular tower light	<b>XVB C22</b>	0.001
<b>Set of 5 legend holders</b>	For identification of stacked units on base unit	<b>XVB C23</b>	0.002
<b>Sheet of 85 legends</b>	For use with base unit legend holder XVB C23	<b>XVB CY1</b>	0.005
<b>Sheet of 52 legends</b>	For identification of stacked units, used on locking ring	<b>XVB CY2</b>	0.005
<b>Adaptor for side entry through base unit</b>	With 13P cable gland	<b>XVB C14</b>	0.015
<b>SIS labelling software</b> (in English, French, German, Italian and Spanish)	For creating legends	<b>XBY 2U</b>	0.100
<b>Light diffuser, clear plastic</b> (Sold in boxes)	Only for use with LED illuminated units (all colours) One box allows to equip 5 illuminated units.	<b>XVB Z18</b>	0.080



XVB C07



XVB Z18

# Signalling solutions

Modular tower lights

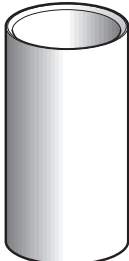
Harmony type XVB Ø 70 mm

Illuminated beacons, tower lights for customer assembly (up to 5 units)



XVB Z02

XVB Z03/Z04



XVB C020



XVB Z01



XVB C12



DL1 B●●



DL1 BD●●/DL1 BK●●

### Accessories common to beacons XVB L and tower lights XVB C

Description	Height under base unit (mm)	Colour	Reference	Weight kg
Fixing bases comprising Ø 25 mm aluminium support tube glued into a black plastic fixing plate	80	Black aluminium	XVB Z02	0.110
		Aluminium	XVB Z02A	0.110
	380	Black aluminium	XVB Z03	0.200
		Aluminium	XVB Z03A	0.200
	780	Black aluminium	XVB Z04	0.325
		Aluminium	XVB Z04A	0.325

Description	For use with	Material	Reference	Weight kg
Support tube concealment cover	Support tubes XVB Z02, XVB Z02A	ABS	XVB C020	0.080
	Support tubes XVB Z03, XVB Z03A	ABS	XVB C030	0.305
	Support tubes XVB Z04, XVB Z04A	ABS	XVB C040	0.610
Ø 25 mm aluminium support tube	Fixing plate XVB Z01 (to be glued into the plastic fixing plate)	Plastic	XVB Z14	0.690
Height under base unit 780 mm				
Fixing plate for use on horizontal support	Ø 25 mm aluminium support tube	Plastic	XVB Z01	0.050
Fixing plate for use on vertical support	Base unit (direct mounting), fixing plate XVB Z01 or fixing bases XVB Z0●	Zamak	XVB C12	0.380

Description	Characteristics		Sold in lots of	Unit reference	Weight kg	
Incandescent bulbs BA 15d base fitting	12 V	7 W	10	DL1 BEJ	0.090	
	24 V	6.5 W	10	DL1 BEB	0.090	
	48 V	6 W	10	DL1 BEE	0.090	
	120 V	7 W	10	DL1 BEG	0.090	
	230 V	7 W	10	DL1 BEM	0.090	
LEDs BA 15d base fitting	~ 24 V	White	1	DL1 BDB1	0.015	
		Green	1	DL1 BDB3	0.015	
		Red	1	DL1 BDB4	0.015	
		Orange	1	DL1 BDB5	0.015	
		Blue	1	DL1 BDB6	0.015	
		Yellow	1	DL1 BDB8	0.015	
		~ 120 V	White	1	DL1 BDG1	0.015
			Green	1	DL1 BDG3	0.015
	Red		1	DL1 BDG4	0.015	
	Orange		1	DL1 BDG5	0.015	
	~ 230 V	Blue	1	DL1 BDG6	0.015	
		Yellow	1	DL1 BDG8	0.015	
		White	1	DL1 BDM1	0.015	
		Green	1	DL1 BDM3	0.015	
	Flashing LEDs BA 15d base fitting	~ 24 V	Red	1	DL1 BDM4	0.015
			Orange	1	DL1 BDM5	0.015
Blue			1	DL1 BDM6	0.015	
Yellow			1	DL1 BDM8	0.015	
~ 120 V		White	1	DL1 BKB1	0.015	
		Green	1	DL1 BKB3	0.015	
		Red	1	DL1 BKB4	0.015	
		Orange	1	DL1 BKB5	0.015	
~ 230 V	Blue	1	DL1 BKB6	0.015		
	Yellow	1	DL1 BKB8	0.015		
	White	1	DL1 BKG1	0.015		
	Green	1	DL1 BKG3	0.015		
~ 120 V	Red	1	DL1 BKG4	0.015		
	Orange	1	DL1 BKG5	0.015		
	Blue	1	DL1 BKG6	0.015		
	Yellow	1	DL1 BKG8	0.015		
~ 230 V	White	1	DL1 BKM1	0.015		
	Green	1	DL1 BKM3	0.015		
	Red	1	DL1 BKM4	0.015		
	Orange	1	DL1 BKM5	0.015		
~ 120 V	Blue	1	DL1 BKM6	0.015		
	Yellow	1	DL1 BKM8	0.015		
	White	1	DL1 BKB1	0.015		
	Green	1	DL1 BKB3	0.015		
~ 230 V	Red	1	DL1 BKB4	0.015		
	Orange	1	DL1 BKB5	0.015		
	Blue	1	DL1 BKB6	0.015		
	Yellow	1	DL1 BKB8	0.015		

Protected LED

Protected LED

# Signalling solutions

Modular tower lights

Harmony type XVB Ø 70 mm

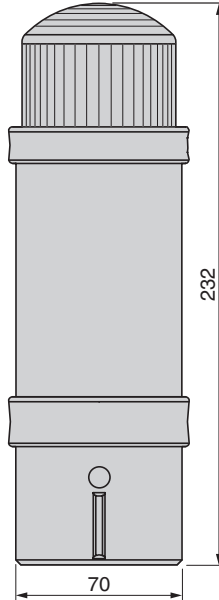
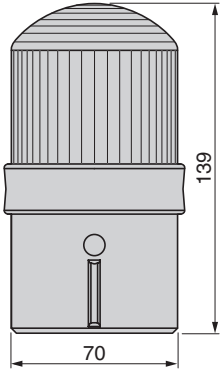
Illuminated beacons, tower lights for customer assembly (up to 5 units)

## Dimensions

### Illuminated beacons XVB L●●●

For BA 15d bulb or LED

With "flash" discharge tube unit

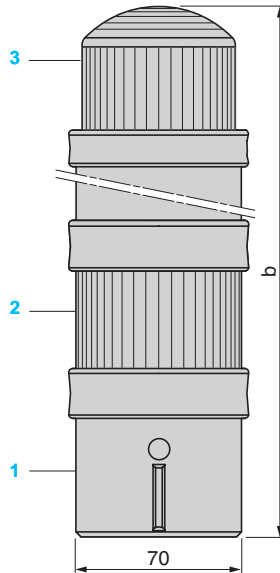
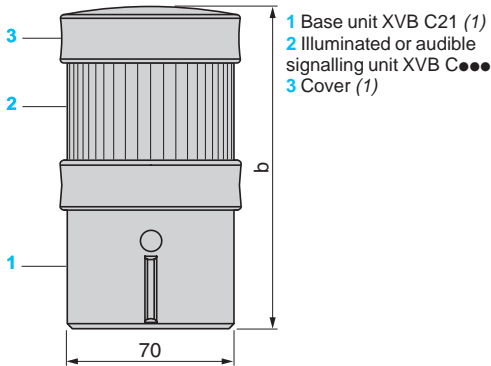


4

### Tower lights XVB C●●●

Without "flash" discharge tube unit

With "flash" discharge tube unit



- 1 Base unit XVB C21 (1)
- 2 Illuminated or audible signalling unit XVB C●●●
- 3 Cover (1)

- 1 Base unit XVB C07
- 2 Illuminated or audible signalling unit XVB C●●●
- 3 "Flash" unit XVB C●●●

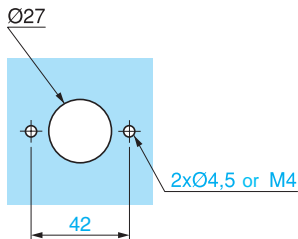
Number of illuminated or audible signalling units (no "flash")	b
1	138
2	201
3	264
4	327
5	390

Number of illuminated or audible signalling units other than "flash" tube	b
1	295
2	358
3	421
4	484

(1) Base unit XVB C21 is supplied with a cover.

### Panel cut-out for direct fixing

On base unit XVB C21, XVB C07, XVB C21A or XVB C21B



# Signalling solutions

Modular tower lights

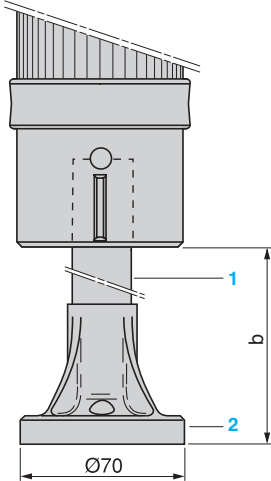
Harmony type XVB Ø 70 mm

Illuminated beacons, tower lights for customer assembly  
(up to 5 units)

## Dimensions

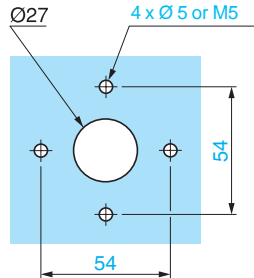
With fixing bases comprising XVB Z0● (aluminium support tube glued into black plastic fixing plate)

Horizontal support panel cut-out for mounting on fixing plate



Fixing base comprising XVB Z0● (Ø 25 mm support tube 1 glued into plastic fixing plate 2)

XVB	b
Z02/Z02A	80
Z03/Z03A	380
Z04/Z04A	780

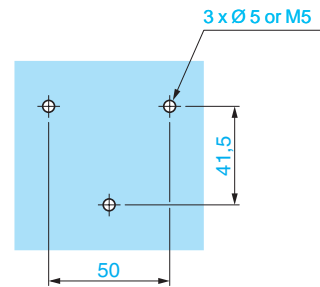
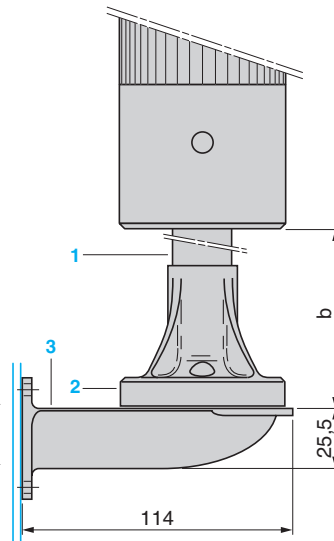
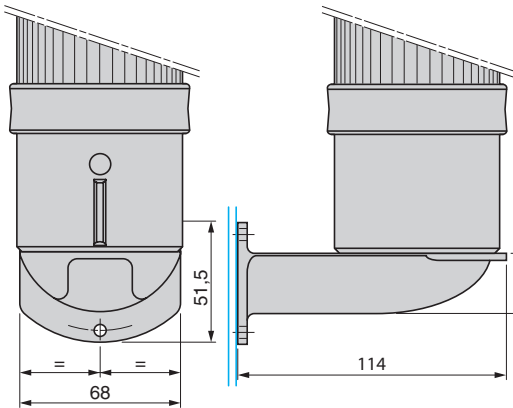


With fixing plate XVB C12 for use on vertical support

Direct mounting on base unit

Mounting using fixing base XVB Z0● (aluminium support tube glued into black plastic fixing plate)

Vertical support panel drillings for mounting fixing plate XVB C12



Fixing base comprising XVB Z0● (Ø 25 mm support tube 1 glued into plastic fixing plate 2) mounted on fixing plate XVB C12 for vertical support 3

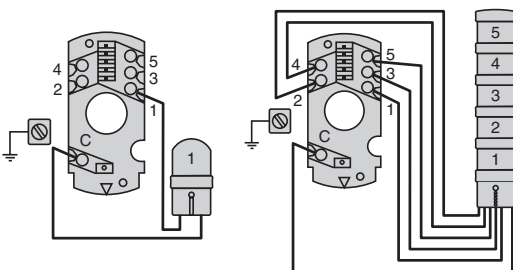
XVB	b
Z02/Z02A	80
Z03/Z03A	380
Z04/Z04A	780

## Installation

Connections

XVB L

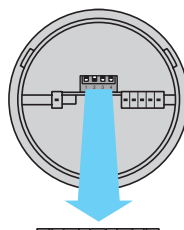
XVB C



Adjustment of audible signal for buzzers type XVB C9●

By means of 4 microswitches located in the base of the buzzer:

- 2 switches marked 1 and 2 for selecting continuous or intermittent mode (Hz).
- 2 switches marked 3 and 4 for selecting the power (dB) of the audible signal.



Position of microswitches		Setting
<b>1</b>	<b>2</b>	<b>Mode</b>
1	1	— 2.8 kHz
1	0	— 2.8 kHz
0	1	□ 5 Hz (1)
0	0	□ 1 Hz
<b>3</b>	<b>4</b>	<b>Power</b>
1	1	90 dB (1)
0	1	85 dB
1	0	80 dB
0	0	70 dB

(1) Factory setting.

### Presentation

The rotating beacons in the Harmony XVR range are optical signalling units designed for long distance signalling applications.

They are used mainly in the iron and steel industry, on industrial handling vehicles or for safety applications.

### Environment characteristics

Rotating beacons type			XVR 08	XVR 10	XVR 12	XVR 13B●● XVR 13J●●	XVR 13●●●L	
Product certifications			CE, UL and CSA					
Conforming to standards			EN/IEC 61000-6-2, EN/IEC 61000-6-4					EN/IEC 60947-1, EN/IEC 60947-5-1
Protective treatment			"TC"					
Ambient air temperature	For storage	°C	- 35...+ 70					
	For operation	°C	- 10...+ 50			- 30...+ 50		
Electric shock protection conforming to IEC 61140			Class II					
Degree of protection conforming to IEC 60529			IP 23 (IP 65 with accessory)	IP 23 (IP 55 with accessory)	IP 23	IP 66 (resistant to vibration)	IP 66 and IP 67	
Material	Domed lens unit		PC					
	Base		ABS					
Light source			Super Bright LED					

### Electrical characteristics

Rotating beacons type			XVR 08J XVR 10J XVR 12J XVR 12J●●S	XVR 08B XVR 10B XVR 12B XVR 12B●●S XVR 13B●●L	XVR 13J	XVR 13B	XVR 13G●●L	XVR 13M●●L
Voltage		V	≈ 12	≈ 24	≈ 12	≈ 24	~ 120	~ 230
Rated impulse withstand voltage		kV	0.8				4	
Consumption	Without buzzer	W	3.2				5	
	With buzzer (for XVR 12●●●S)	W	4	4.7	-			
Audible units with continuous or intermittent tone (short/long or high/low)	For XVR 12●●●S Sound level at 1 m	dB	50...90					
Flashing frequency of illuminated units		Hz	2.3 2.7 for XVR 13					
Connection	Wire c.s.a	mm <sup>2</sup>	0.83 mm <sup>2</sup> / SPT-1 AWG 18 (1) for XVR 08●, XVR 10● and XVR 12● 0.83 mm <sup>2</sup> / UL1007 AWG 18 (1) for XVR 12●●●S 1.25 mm <sup>2</sup> / VCT for XVR 13					
	Cable length	mm	400 500 for XVR 08●					

(1) AWG: American Wire Gauge.

# Signalling solutions

## Rotating beacons Harmony type XVR (equipped with Super Bright LED)



XVR 08●●●



XVR 10●●●



XVR 13●●●



XVR 13●●●L

### Complete, pre-cabled rotating beacons

Diameter mm	Sound option	IP degree of protection	Voltage V	Colour	Reference	Weight kg				
Ø 84	Without buzzer	IP 23 (IP 65 With accessories)	~ 12	Red	XVR 08J04	0.300				
				Orange	XVR 08J05	0.300				
				Green	XVR 08J03	0.300				
				Blue	XVR 08J06	0.300				
			~ 24	Red	XVR 08B04	0.300				
				Orange	XVR 08B05	0.300				
				Green	XVR 08B03	0.300				
				Blue	XVR 08B06	0.300				
				Ø 106	Without buzzer	IP 23 (IP 55 With accessories)	~ 12	Red	XVR 10J04	0.500
								Orange	XVR 10J05	0.500
								Green	XVR 10J03	0.500
								Blue	XVR 10J06	0.500
~ 24	Red	XVR 10B04	0.500							
	Orange	XVR 10B05	0.500							
	Green	XVR 10B03	0.500							
	Blue	XVR 10B06	0.500							
	Ø 120	Without buzzer	IP 23				~ 12	Red	XVR 12J04	0.500
								Orange	XVR 12J05	0.500
								Green	XVR 12J03	0.500
								Blue	XVR 12J06	0.500
~ 24				Red	XVR 12B04	0.500				
				Orange	XVR 12B05	0.500				
				Green	XVR 12B03	0.500				
				Blue	XVR 12B06	0.500				
				Ø 120	With buzzer	IP 23	~ 12	Red	XVR 12J04S	0.500
								Orange	XVR 12J05S	0.500
								Green	XVR 12J03S	0.500
								Blue	XVR 12J06S	0.500
~ 24	Red	XVR 12B04S	0.500							
	Orange	XVR 12B05S	0.500							
	Green	XVR 12B03S	0.500							
	Blue	XVR 12B06S	0.500							
	Ø 130	Without buzzer	IP 66 Resistant to vibration				~ 12	Red	XVR 13J04	0.800
								Orange	XVR 13J05	0.800
							~ 24	Red	XVR 13B04	0.800
								Orange	XVR 13B05	0.800
IP 66 and IP 67				~ 24	Red	XVR 13B04L		0.820		
					Orange	XVR 13B05L		0.820		
			~ 120	Red	XVR 13G04L	0.990				
				Orange	XVR 13G05L	0.990				
			~ 230	Red	XVR 13M04L	0.990				
				Orange	XVR 13M05L	0.990				

### Accessories for rotating beacons

Description	To be used for / with	Diameter mm	Height mm	Reference	Weight kg
Reflecting prism	-	84	-	XVR ZR1	0.010
		106	-	XVR ZR2	0.015
		120/130	-	XVR ZR3	0.020
Rubber base	Increasing the IP degree	84	-	XVR Z081	0.040
		106	-	XVR Z082	0.050
Metal angle bracket	Horizontal support	84, 106, 120	-	XVC Z23	0.380
		130	-	XVR 012L	1.300
Metal fixing plate	Horizontal support	106, 120	300	XVC Z13	0.700

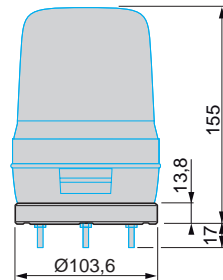
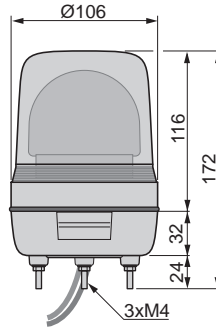
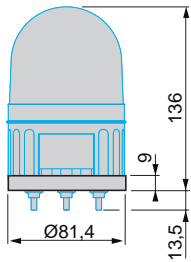
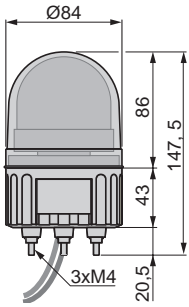
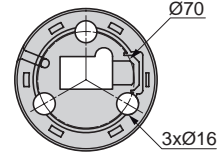
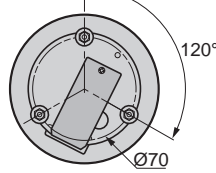
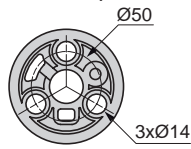
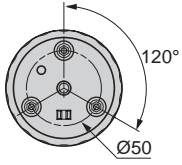
**Complete, pre-cabled rotating beacons**

XVR 08●0●

XVR Z081 (rubber base-optional part)

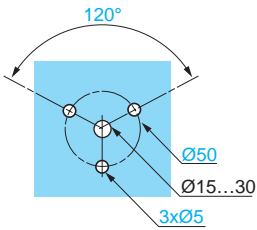
XVR 10●0●

XVR Z082 (rubber base-optional part)

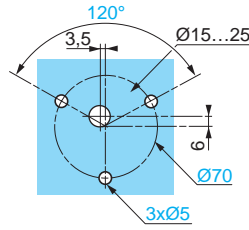


4

Panel cut-out

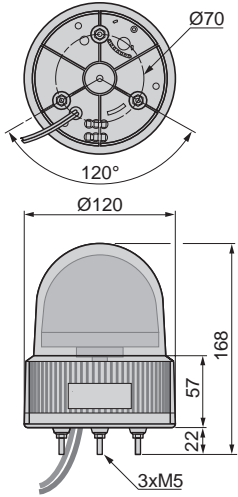


Panel cut-out

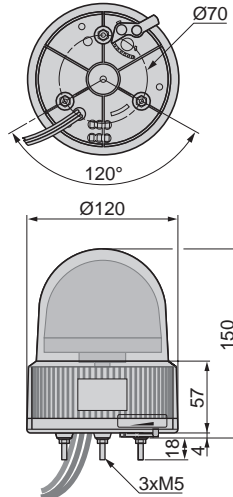


**Complete, pre-cabled rotating beacons (continued)**

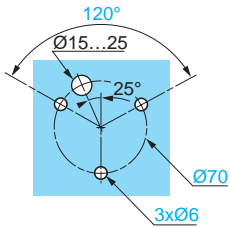
**XVR 12●0●**



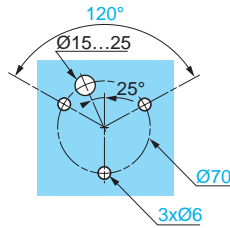
**XVR 12●0●S**



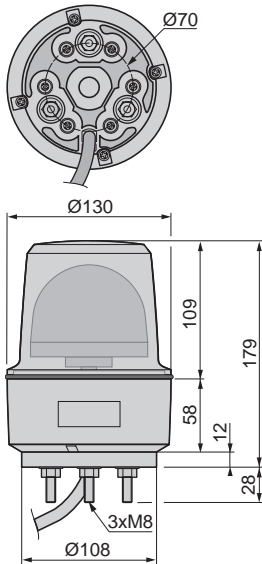
**Panel cut-out**



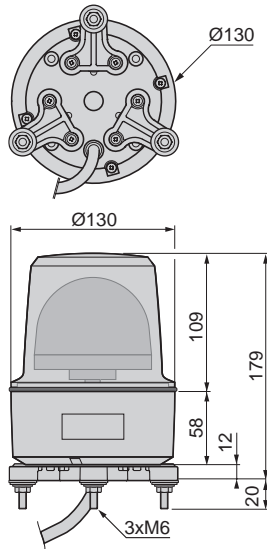
**Panel cut-out**



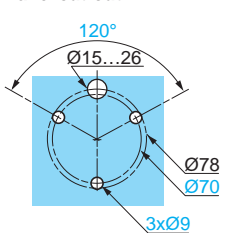
**XVR 13●0●**



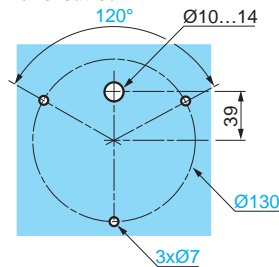
**XVR 13●0●L**



**Panel cut-out**



**Panel cut-out**



## Presentation

Harmony XVS sirens and electronic alarms are audible signalling units used for long distance indication of the operating status or sequences of a machine or installation.

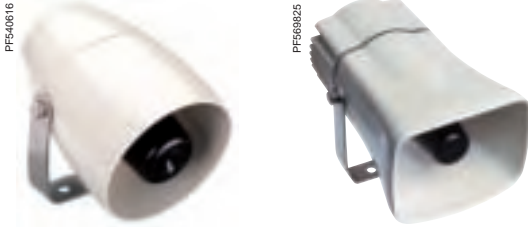
They are mainly used on conveyor belts, on automated industrial trucks and on the doors of electrical control panels.

## Characteristics

Type of siren or alarm		XVS 10BMW	XVS 10GMW 10MMW	XVS 14BMW	XVS 14GMW 14MMW	XVS 72BM●●	XVS 96BM●●	
<b>Environment characteristics</b>								
Product certifications		CE, UL and CSA						
Conforming to standards		EN/IEC 60947-1, EN/IEC 60947-5-1		EN/IEC 61000-6-2, EN/IEC 61000-6-3	EN/IEC 60947-1, EN/IEC 60947-5-1	EN/IEC 61000-6-2, EN/IEC 61000-6-3	EN/IEC 60947-1, EN/IEC 60947-5-1	
Protective treatment		"TC"						
Ambient air temperature	Storage	°C	- 35...+ 70					
	Operation	°C	- 30...+ 50	- 10...+ 50		- 20...+ 50		
Electric shock protection conforming to IEC 61140		Class II						
Degree of protection conforming to IEC 60529		IP 53				IP 54		
Material	Terminal cover	-				PC		
	Base	PC		PC/ABS		ABS	PC or ABS	
Sound	Number of options (tones)	2		43		16		
<b>Electrical characteristics</b>								
Voltage		V	≈ 12-24	~ 120 ~ 230	≡ 12/24	~ 120 ~ 240	≈ 12/24	
Rated impulse withstand voltage			0.8	4	0.8	4	0.8	
Consumption			≈ 12 V: 500 mA ≈ 24 V: 300 mA	~ 120 V: 80 mA ~ 230 V: 40 mA	≡ 12 V: 250 mA ≡ 24 V: 350 mA	~ 120 V: 100 mA ~ 240 V: 50 mA	≈ 12 V: 1.9 / 1.4 W ≈ 24 V: 4.8 / 3 W	≈ 12 V: 3.5 / 3 W ≈ 24 V: 8.5 / 7 W
Audible units	Sound level (continuous or intermittent tone) at 1 m	dB	106		0...105		0...90	0...96
Cabling	Cable diameter		Cable-gland for using 6.5 to 8.5 mm cables		Power wire c.s.a.: 0.52 mm <sup>2</sup> / AWG 20 (1) Signal wire c.s.a.: 0.33 mm <sup>2</sup> / AWG 22 (1)		-	
	Maximum clamping capacity	mm <sup>2</sup>	1 x 1.5		-		1 x 1.5	
	Cable length	mm	-		500		-	

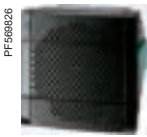
(1) AWG: American Wire Gauge.

## References

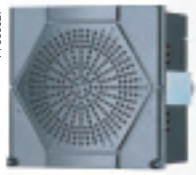


XVS 10●M

XVS 14●MW



XVS 72BM●●

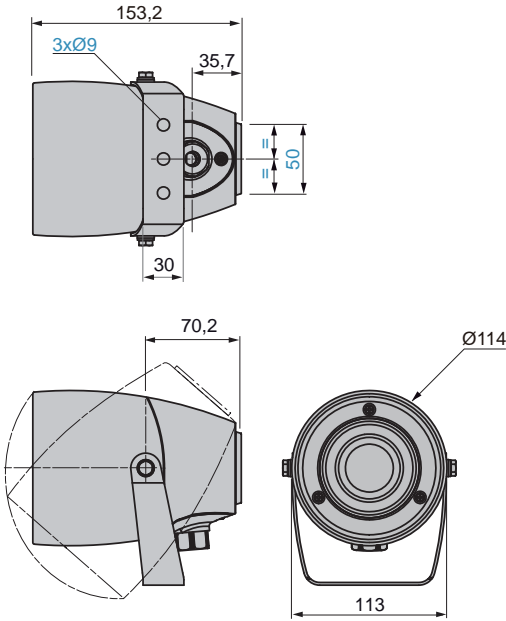


XVS 96BM●●

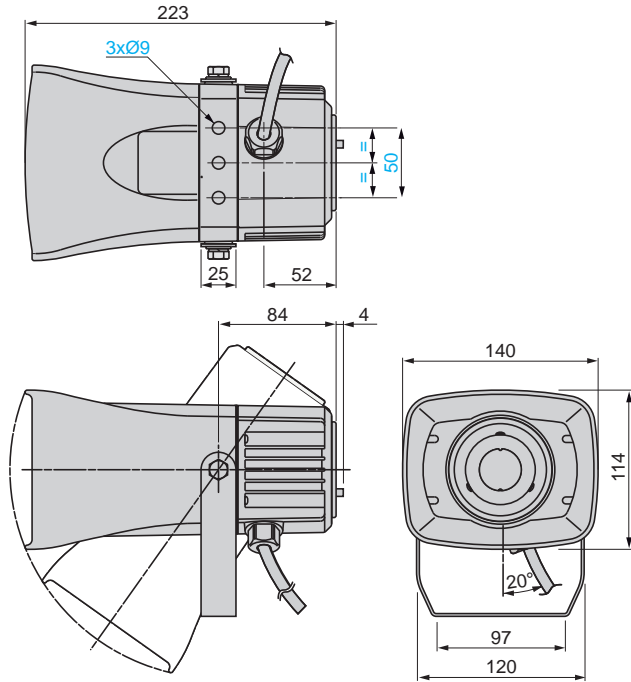
Description	Voltage V	Colour	Reference	Weight kg
<b>Sirens</b> 106 dB, 2 tones	~ 12-24	White	<b>XVS 10BMW</b>	0.800
	~ 120	White	<b>XVS 10GMW</b>	1.000
	~ 230	White	<b>XVS 10MMW</b>	1.000
<b>Multisound siren</b> 105 dB, 43 tones 8 channels Pre-wired	~ 12/24	White	<b>XVS 14BMW</b>	1.000
	~ 120	White	<b>XVS 14GMW</b>	1.200
	~ 240	White	<b>XVS 14MMW</b>	1.200
<b>Electronic alarms</b> 90 dB, 16 tones Panel Mount DIN72 4 channels	~ 12/24	PNP, Black	<b>XVS 72BMBP</b>	0.180
		PNP, White	<b>XVS 72BMWP</b>	0.180
		NPN, Black	<b>XVS 72BMBN</b>	0.180
		NPN, White	<b>XVS 72BMWN</b>	0.180
<b>Electronic alarms</b> 96 dB, 16 tones Panel Mount DIN96 4 channels	~ 12/24	PNP, Black	<b>XVS 96BMBP</b>	0.400
		PNP, White	<b>XVS 96BMWP</b>	0.400
		NPN, Black	<b>XVS 96BMBN</b>	0.400
		NPN, White	<b>XVS 96BMWN</b>	0.400

## Dimensions

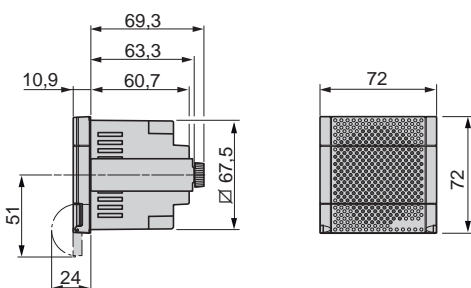
### XVS 10●M



### XVS 14●MW



### XVS 72BM●●



### XVS 96BM●●

