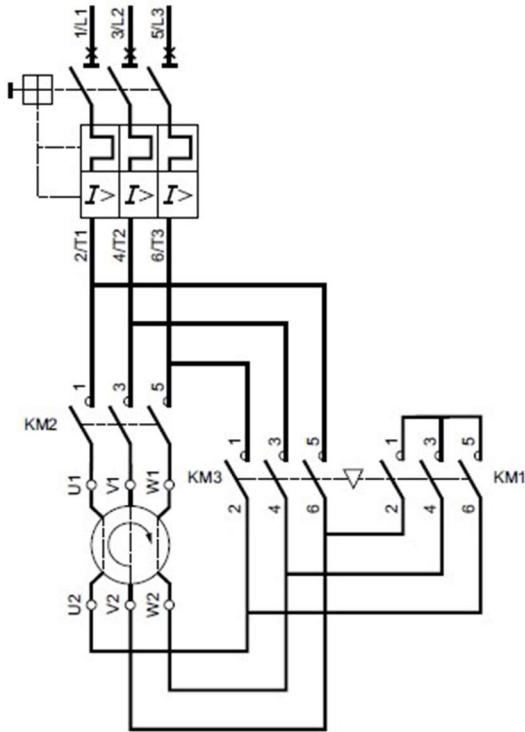
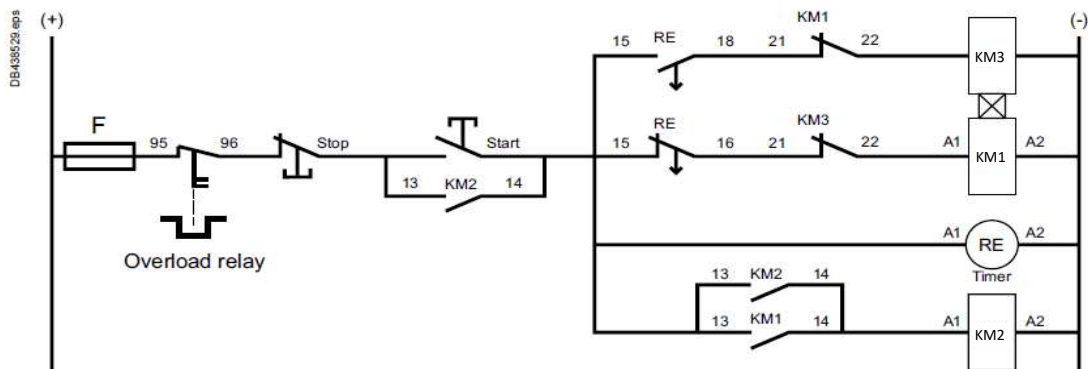


Control sequence description of star/delta TeSys Giga contactor associated with RE17RMMW* timer

Star-delta motor starter with thermal magnetic circuit breaker and contactors

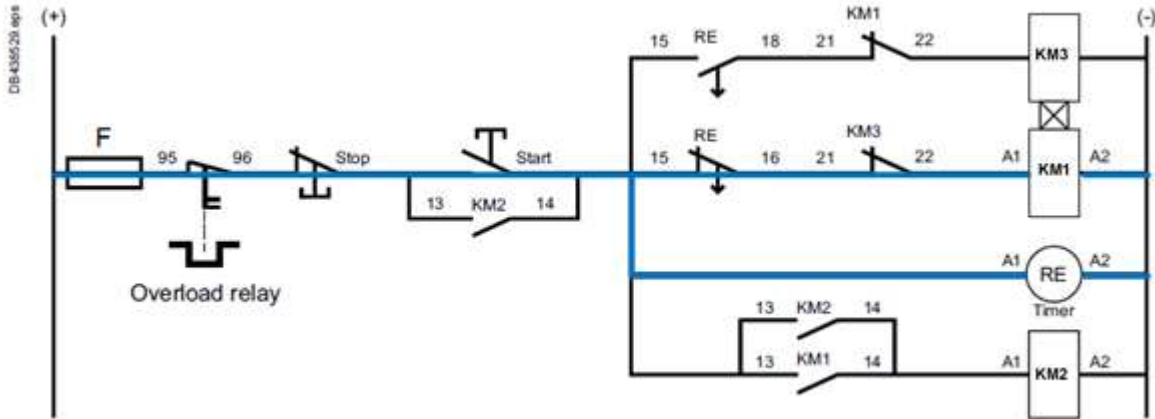


1 Star/Delta OFF condition



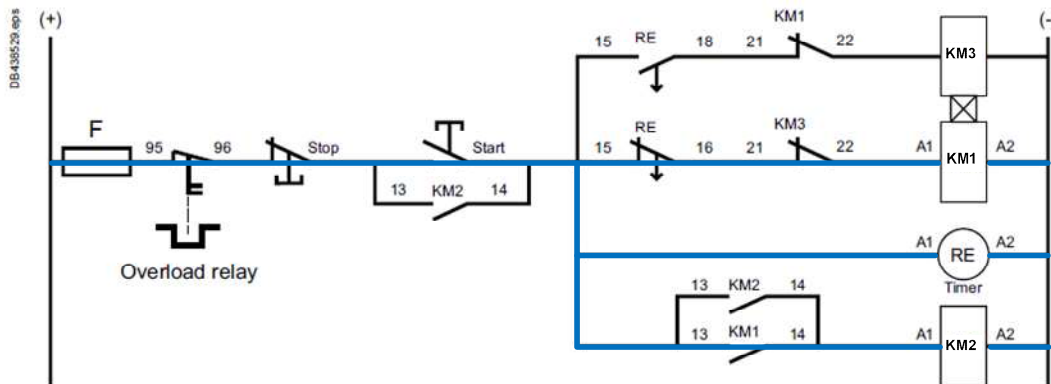
2 Push Start

- RE Timer Supplied: 15 Connected on 16
- KM1 CTR Supplied
- KM2 CTR Open
- KM3 CTR Open



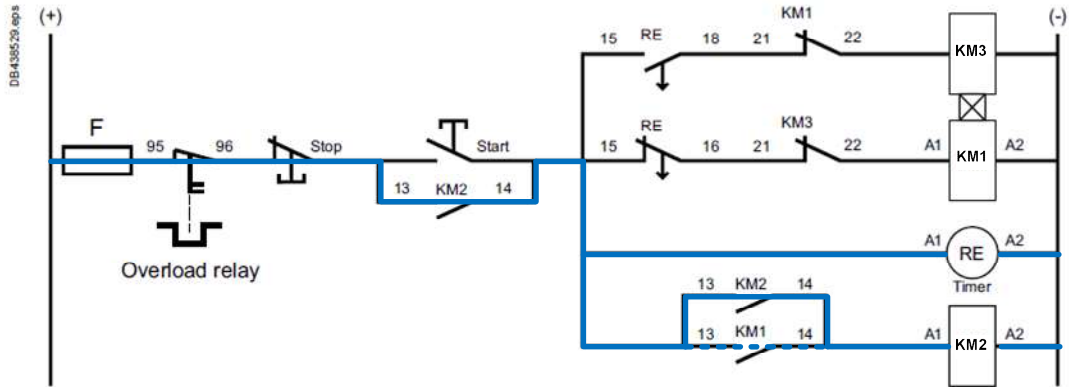
3 KM1 Contactor Close

- RE Timer Counter = 50ms (Closing Time of KM1)
- KM1 CTR Close
- KM2 CTR Supplied



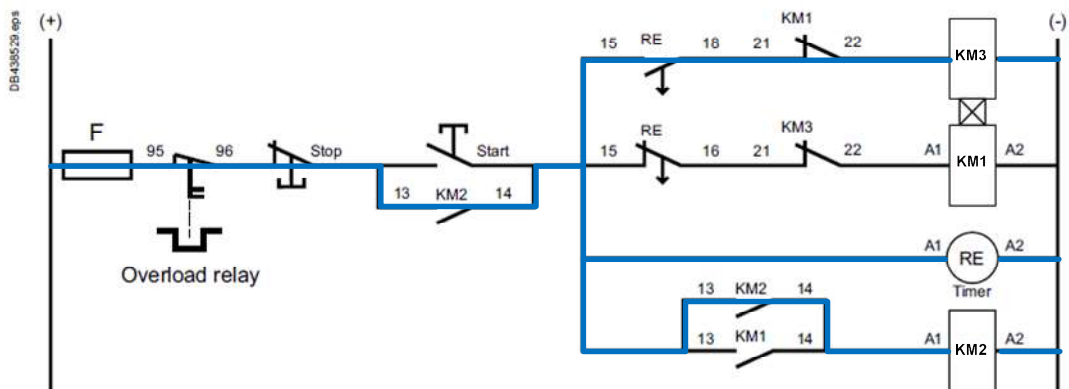
6 Ts Timer Setting Reach

- RE Timer Counter = Ts Setting Time: 15 Connected on 18
- KM1 CTR Not supplied (Still close)
- KM2 CTR Close
- KM3 Not Supplied (Electrical Interlock 21/22 NC KM1)
- Motor in Freewheel



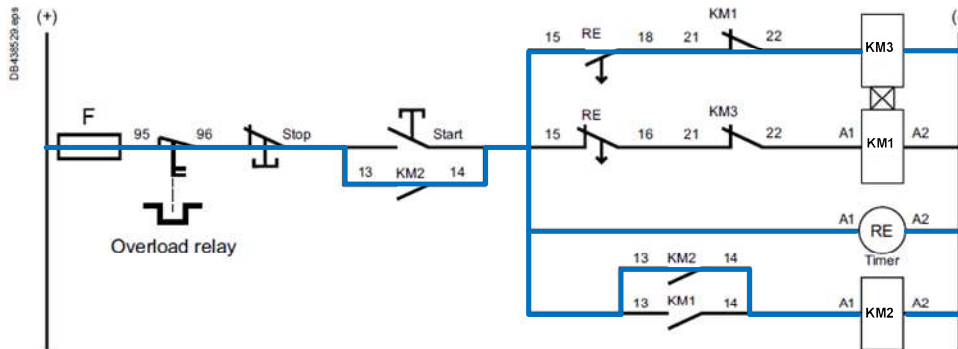
7 KM1 Contactor Open

- RE Timer Counter = Ts + 35ms (KM1 Opening Time)
- KM1 CTR Open
- KM2 CTR Close
- KM3 CTR Supplied
- Motor in Freewheel



8 KM3 Contactor Close

- RE Timer Counter = $T_s + 85\text{ms}$ (KM1 Opening Time + KM3 closing time)
- KM2 CTR Close
- KM3 CTR Close
- Motor switch From Y to Δ in 85ms in nominal condition < 200ms



Appendix : Timer RE17R●●●● / RE17L●●●●

Below is the link of instruction sheet for RE17R●●●● / RE17L●●●●

https://download.schneider-electric.com/files?p_enDocType=Instruction+sheet&p_File_Name=HRB5754401_04.pdf&p_Doc_Ref=HRB57544

Function selection must be selected on **A**

RE17RMMW●

A RE17RMMW● RE17RMMU●
 RE17RAMU● RE17LAMW●
 RE17RMEMU● RE17LMBM
 RE17RMJU

- en** Power on delay relay
- fr** Relais temporisé à la mise sous tension
- de** Ansprechverzögertes Zeitrelais
- es** Relé de retardo de arranque
- it** Relè ritardato all'accensione
- zh** 开启延迟继电器电源

RE17RMMW●

U	12...240 Vdc 1.5 W
U	12...240 Vac 50...60 Hz 3 VA
	250 Vac / 8 A